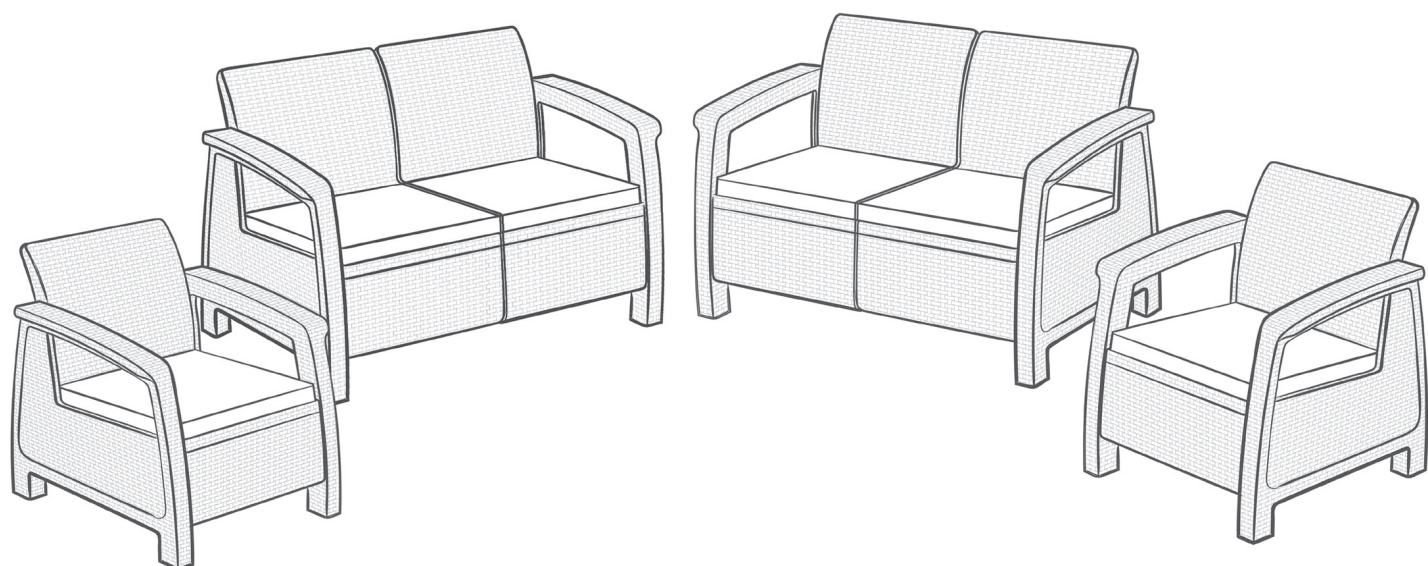
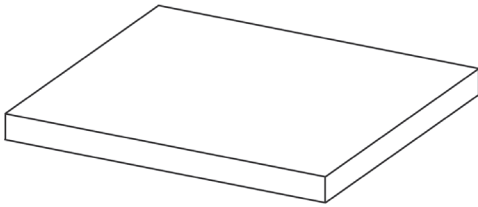
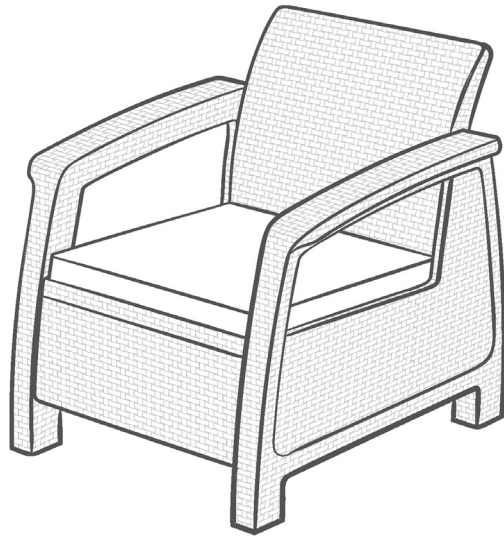


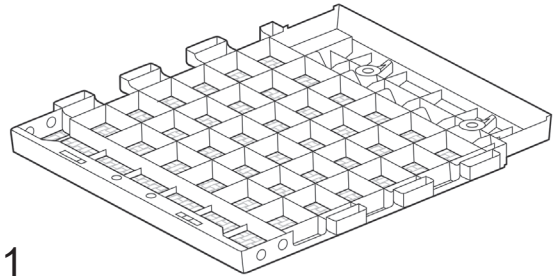
# ЛАДАННИК

---

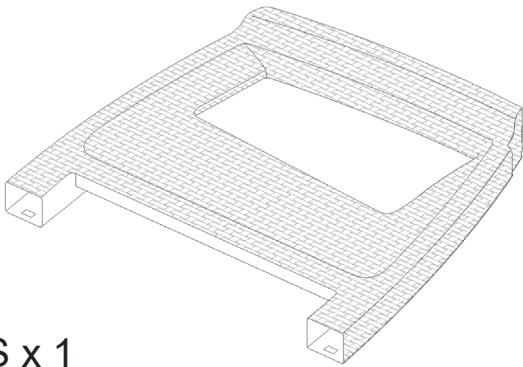




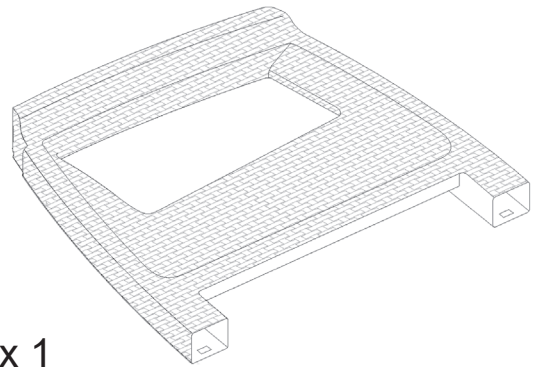
x 1



S x 1



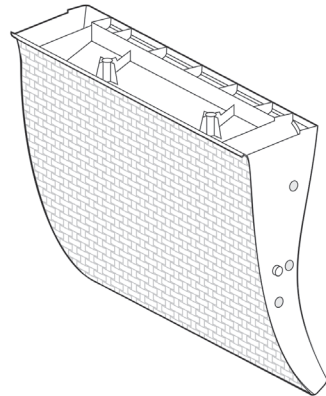
LS x 1



RS x 1



FB x 2



B x 1



L1 x 1



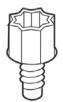
L2 x 1



L3 x 1



L4 x 1



x 16



LP x 4



SP x 12



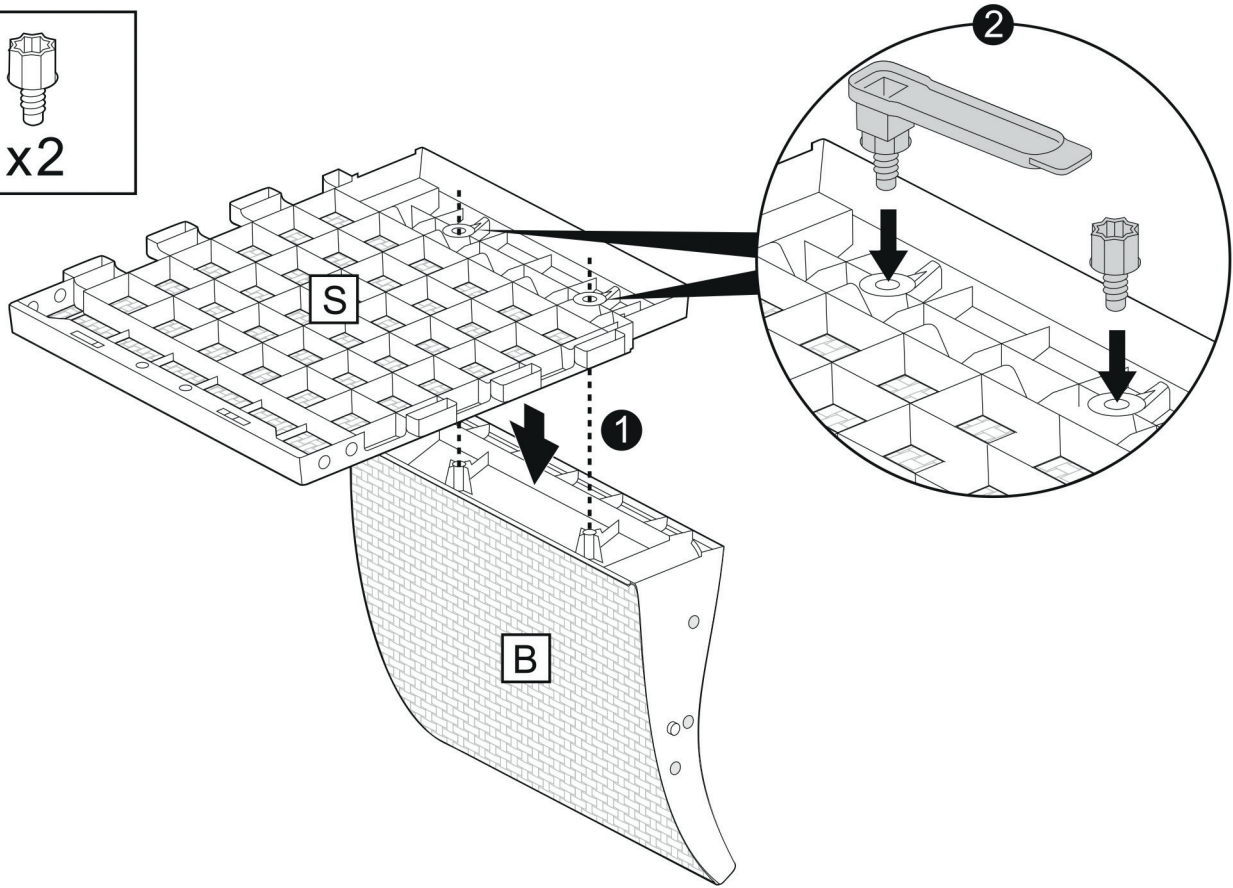
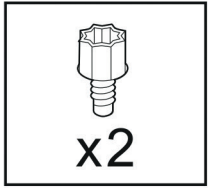
L x 1



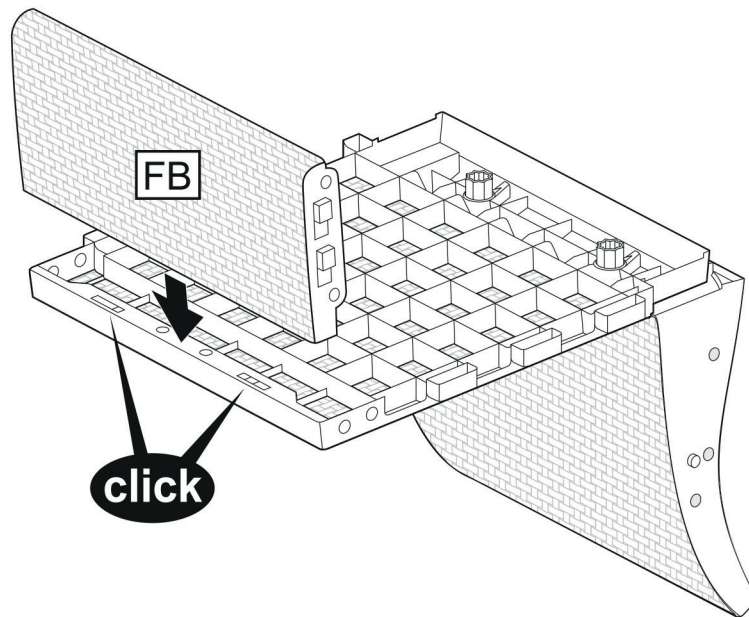
R x 1



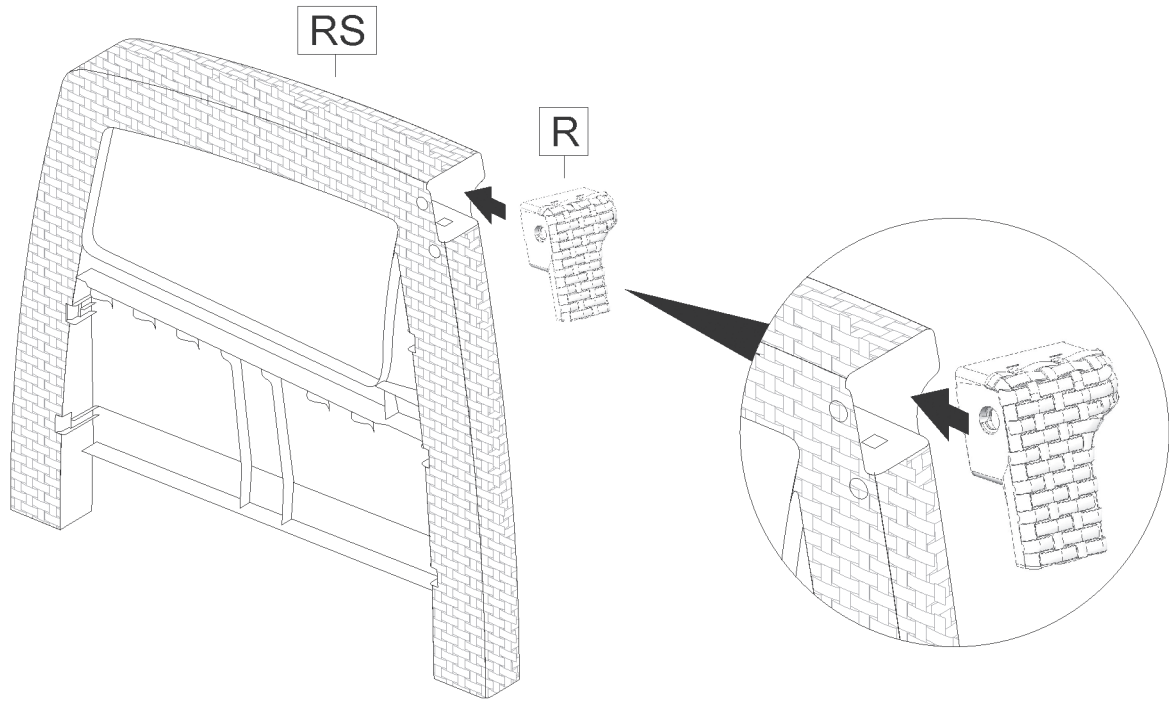
1



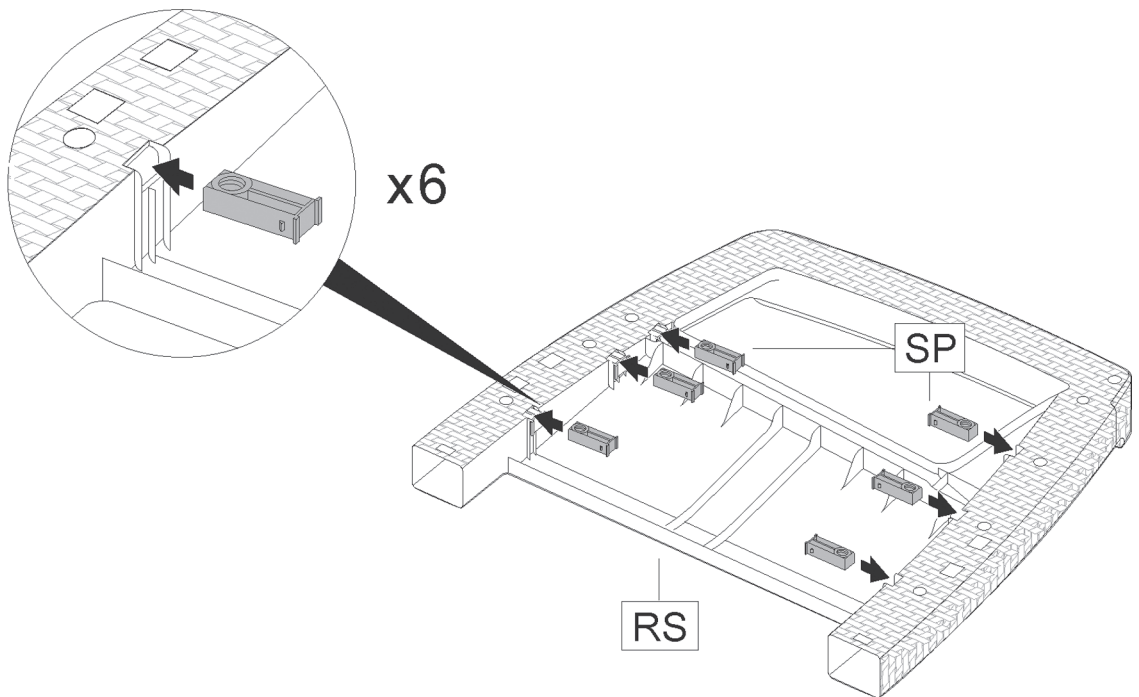
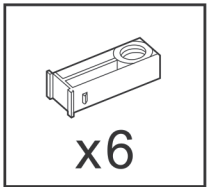
2



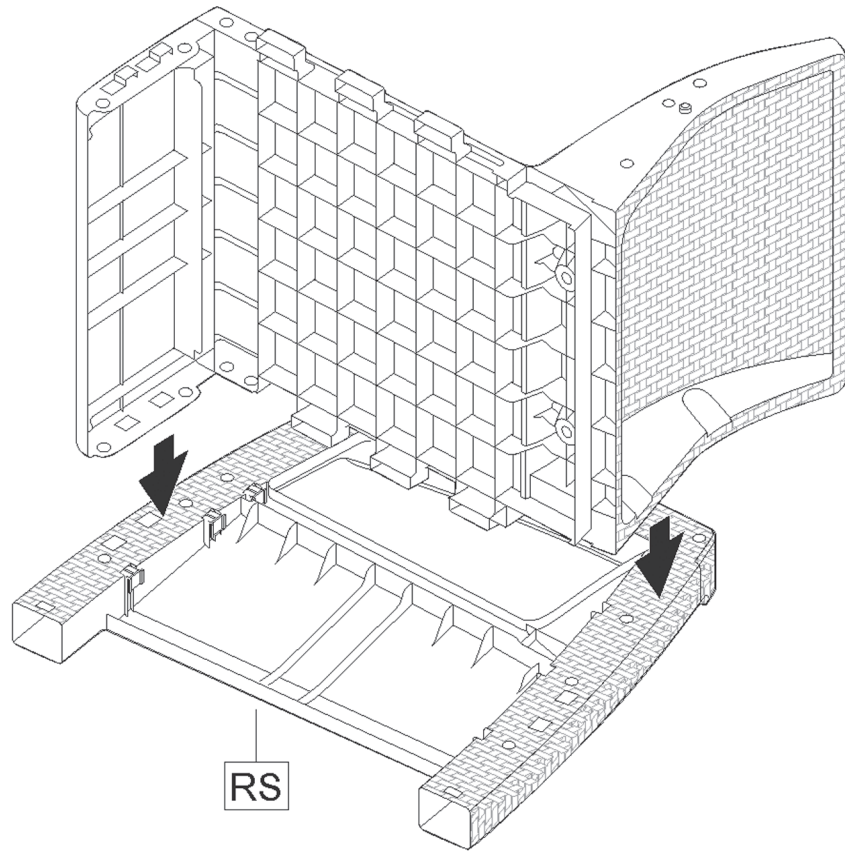
3



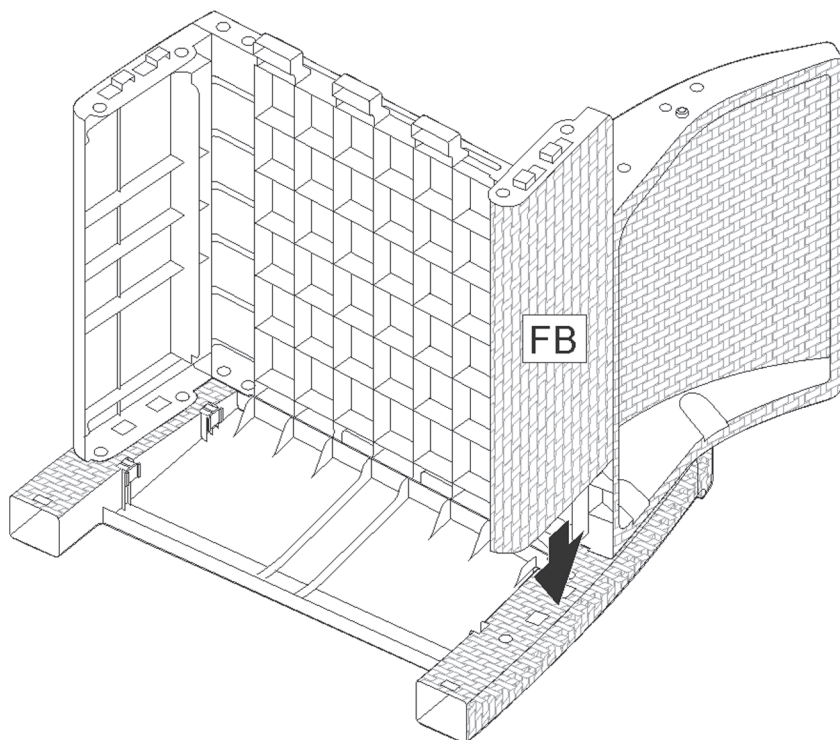
4



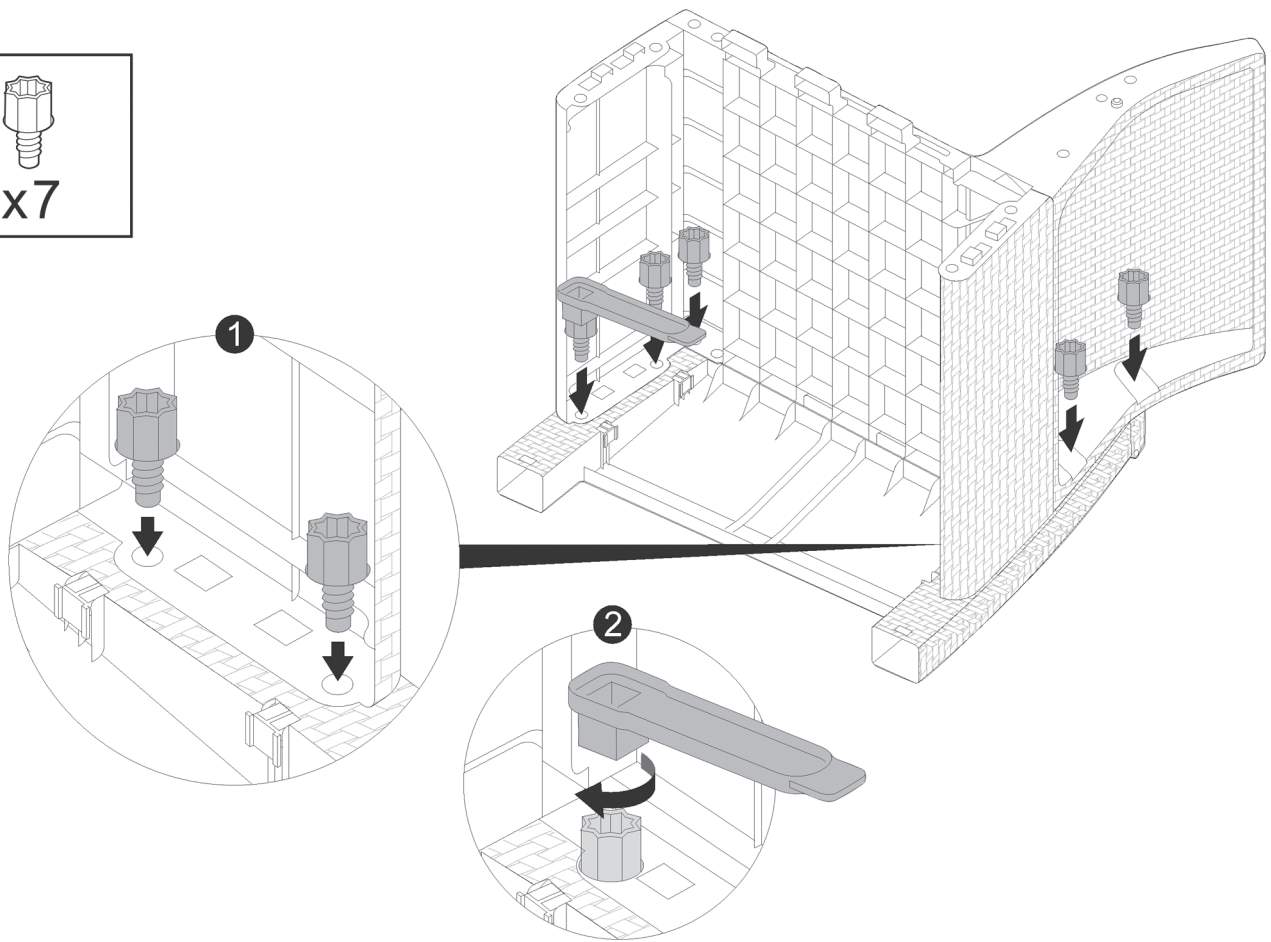
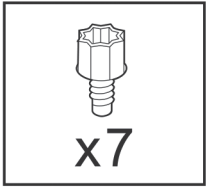
5



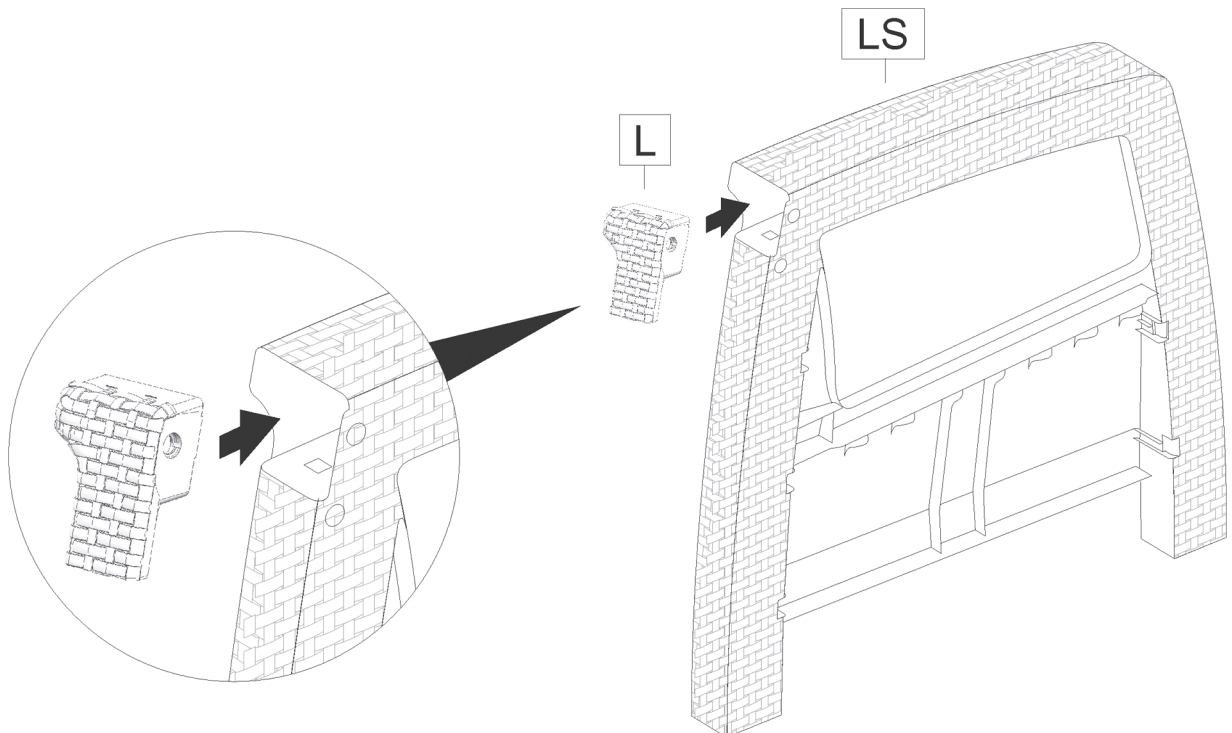
6

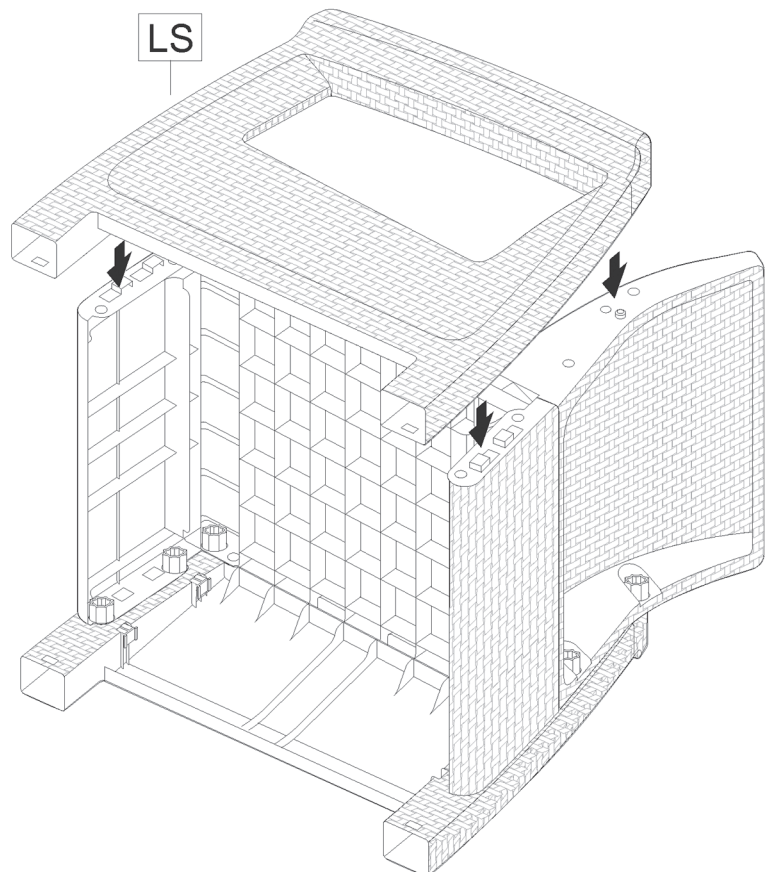
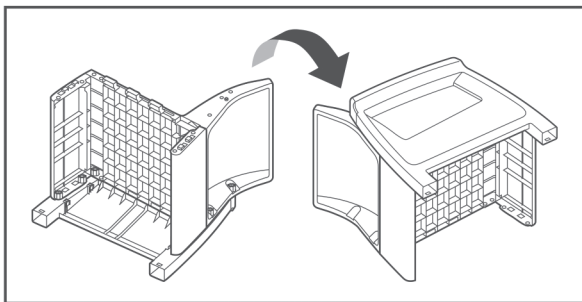
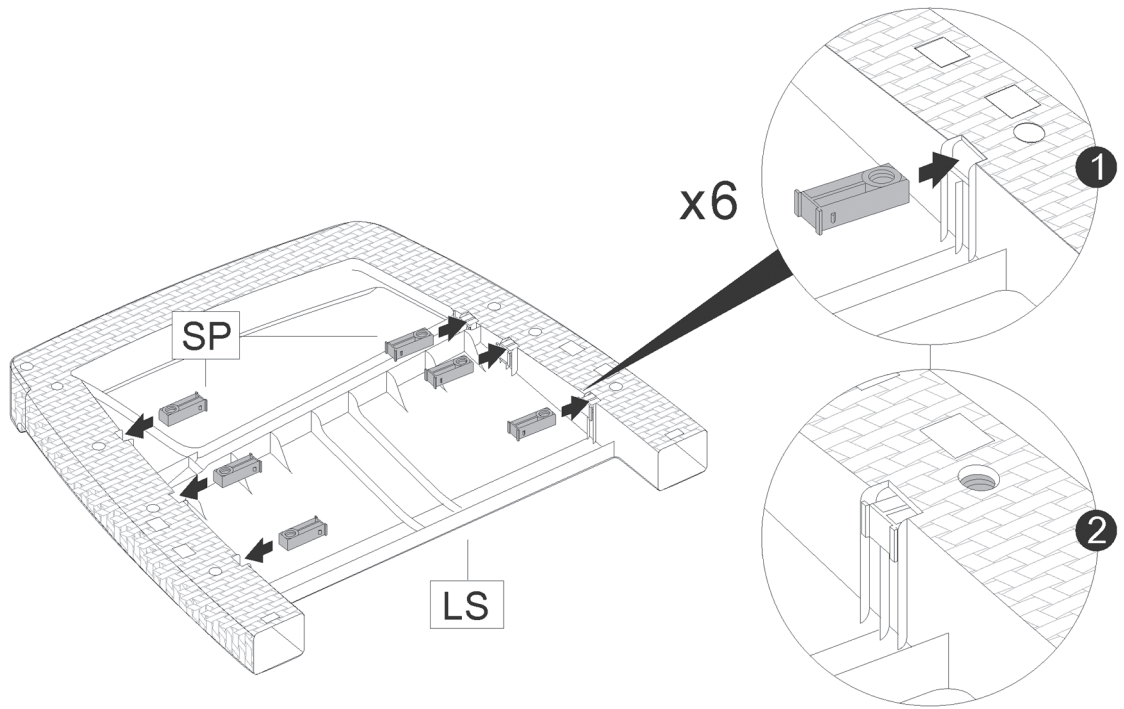
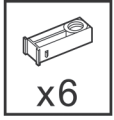


7

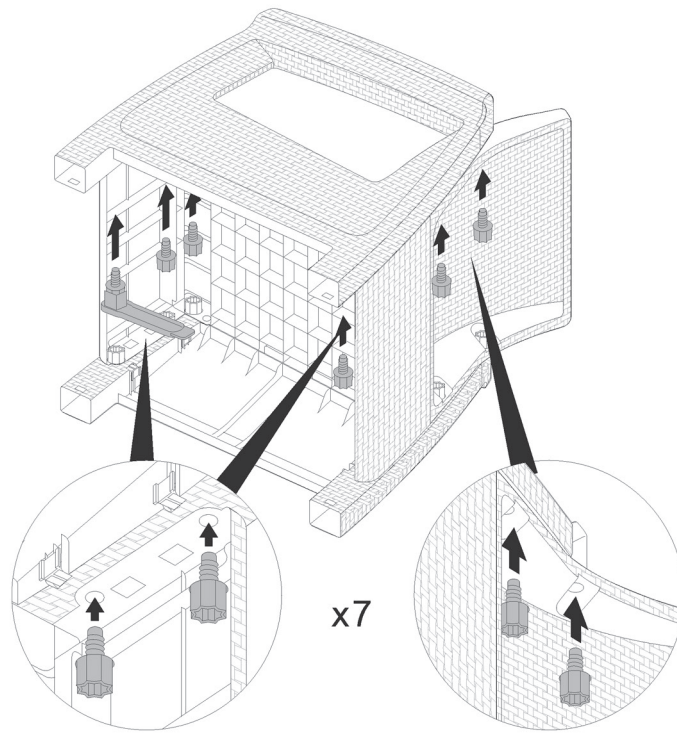


8

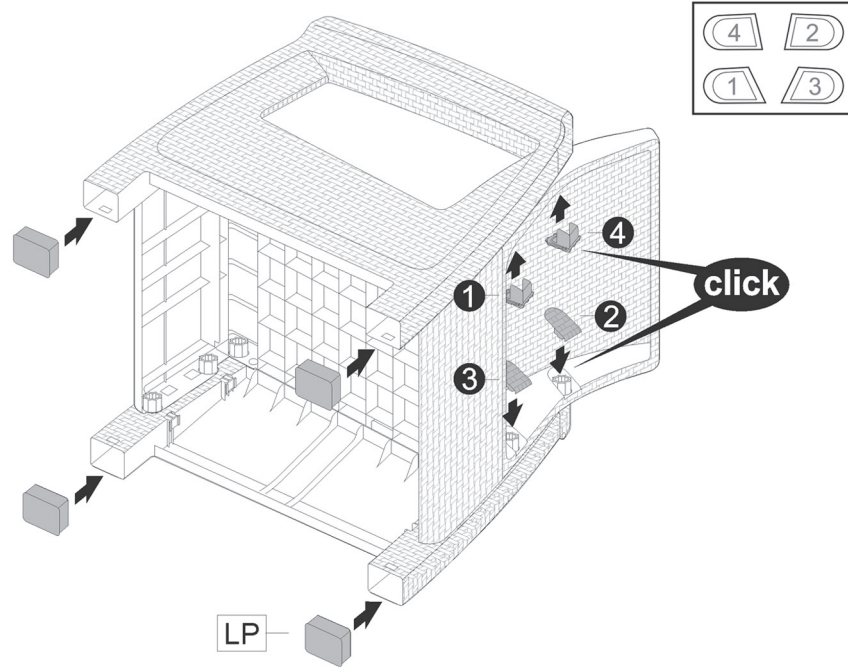
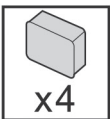




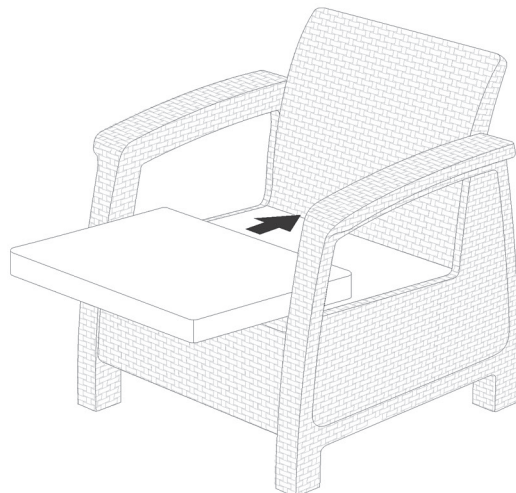
11

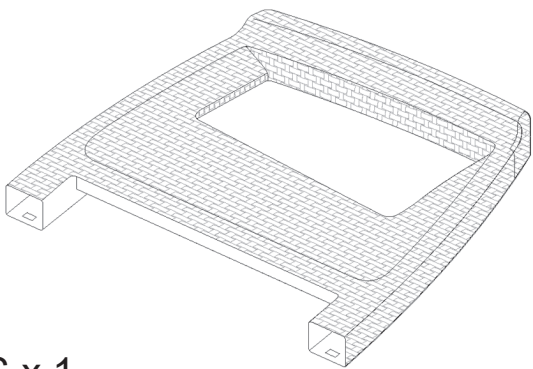
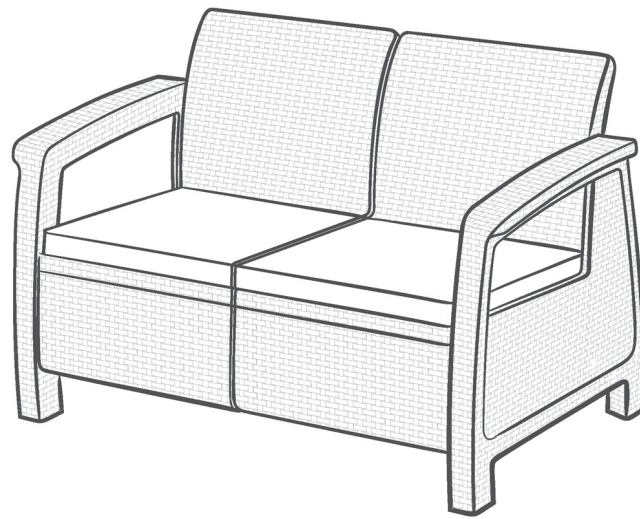


12

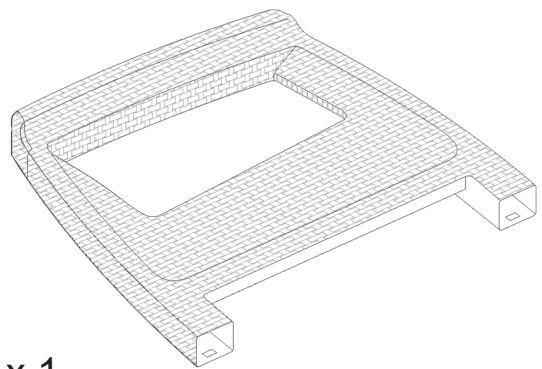


13

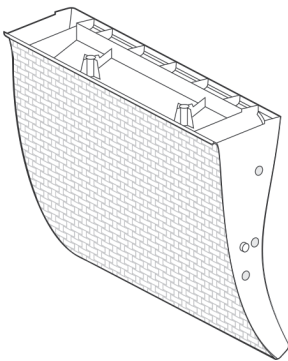




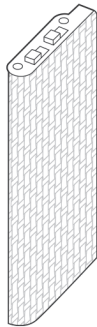
LS x 1



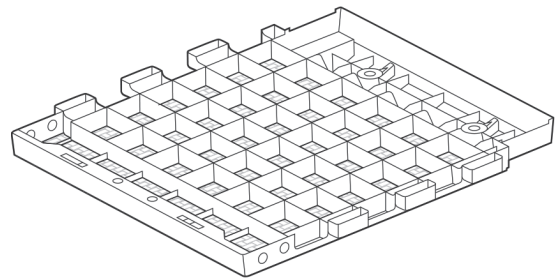
RS x 1



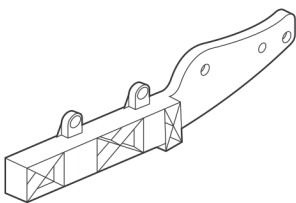
B x 2



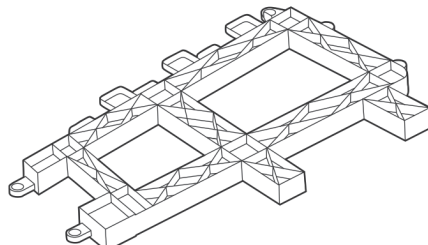
FB x 4



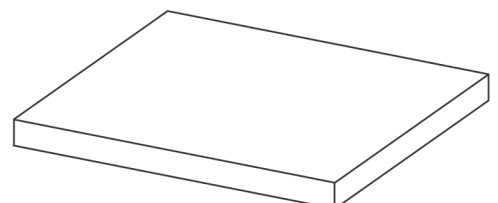
S x 2



ML1 x 1



ML x 1



x 2



L1 x 2



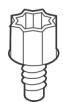
L2 x 2



L3 x 2



L4 x 2



x 25



LP x 4



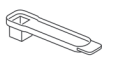
SP x 12



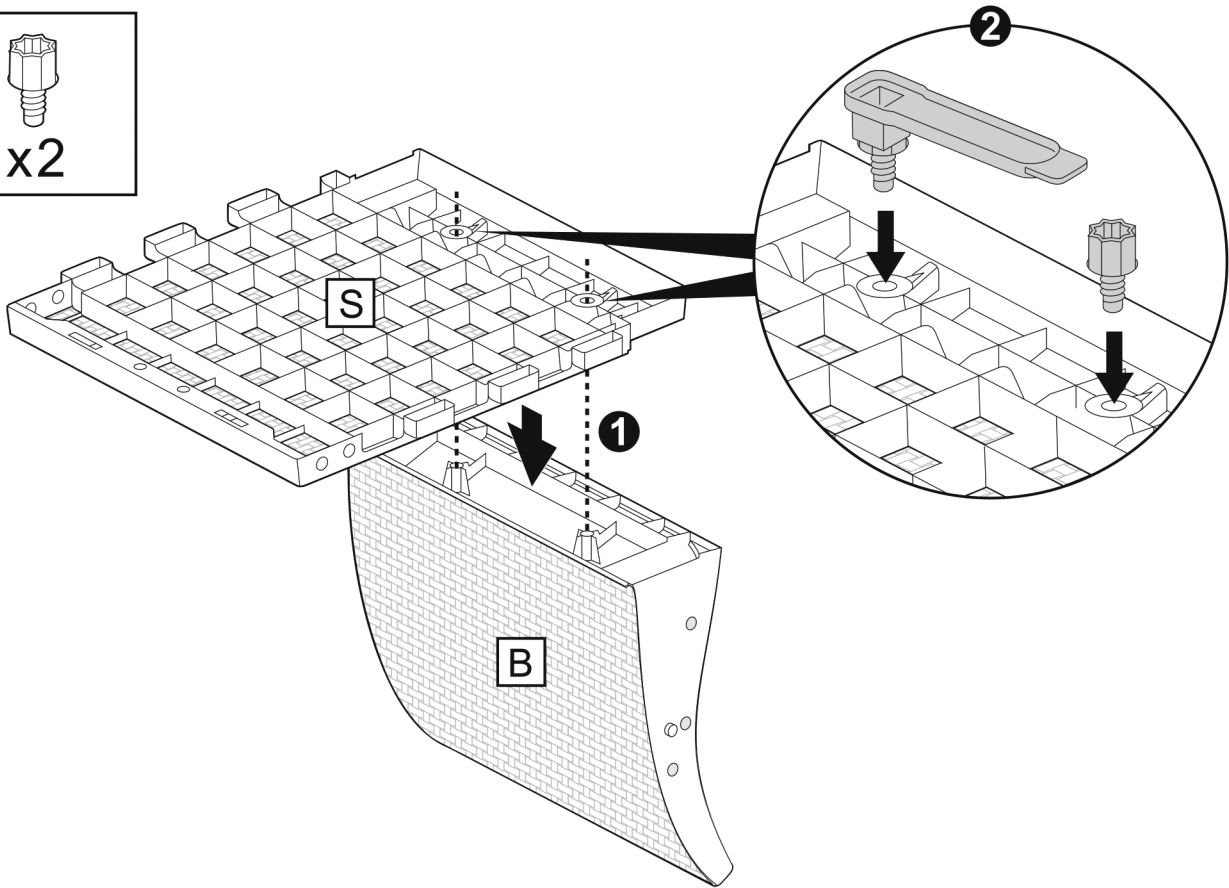
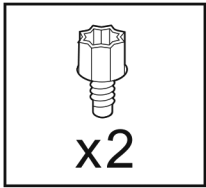
L x 1



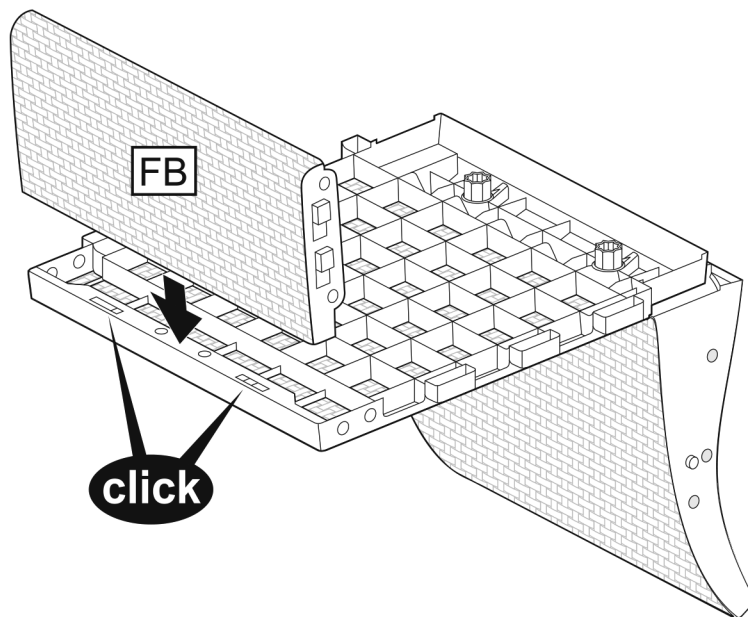
R x 1



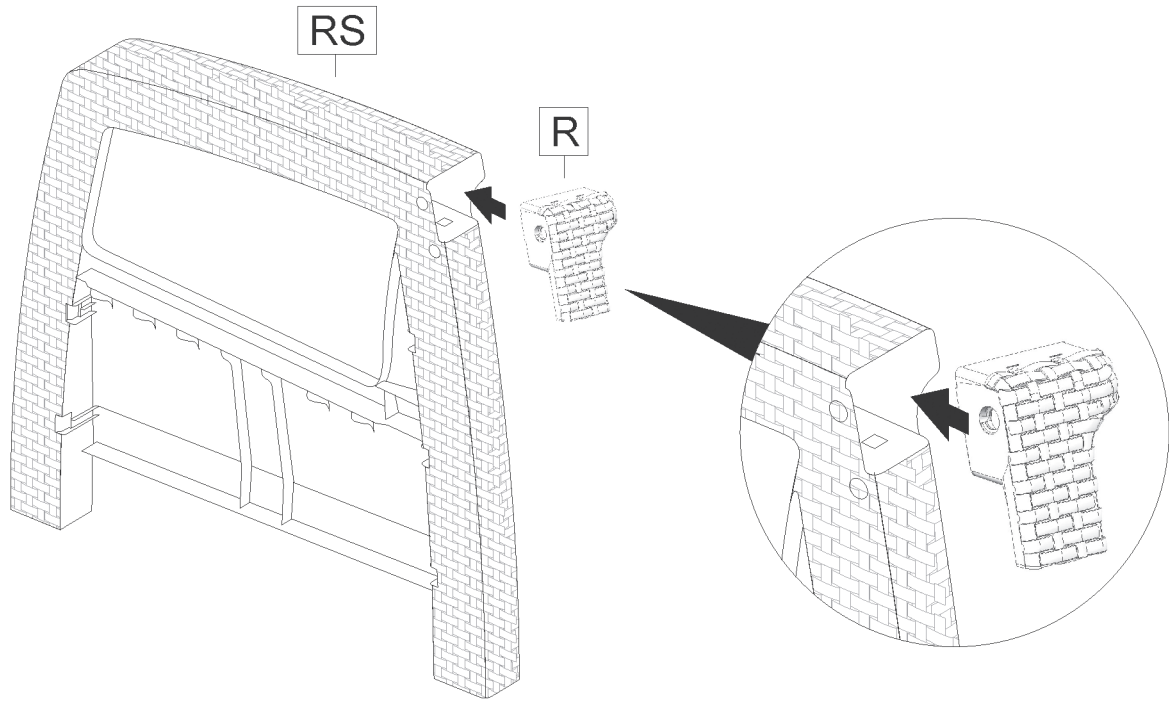
1



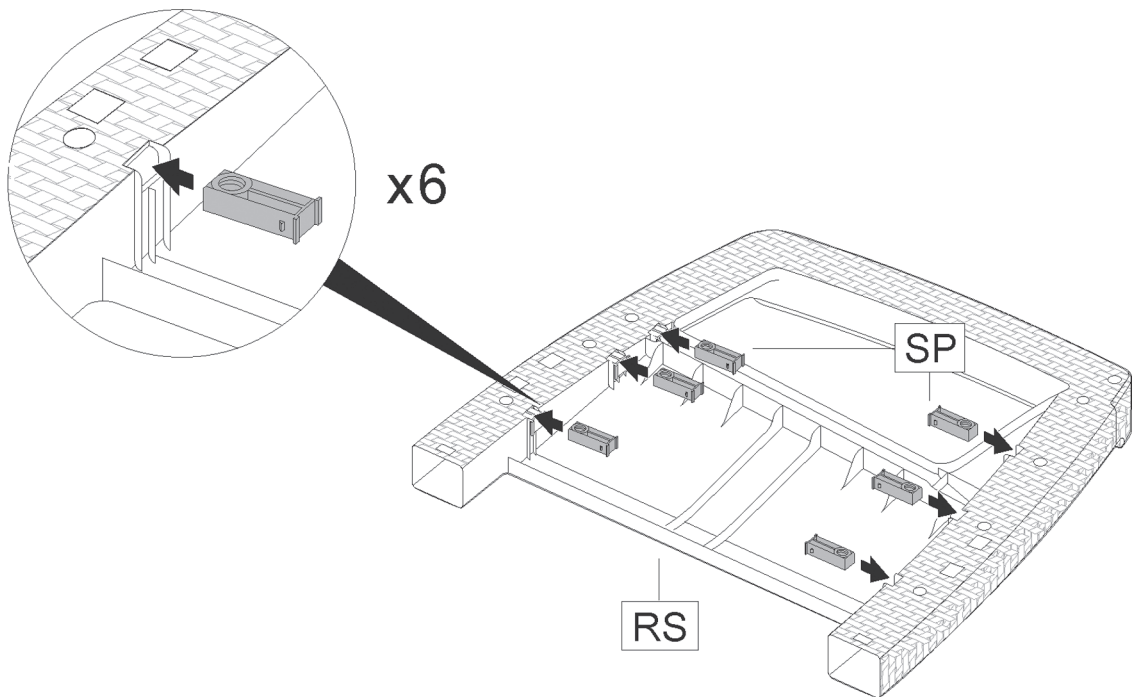
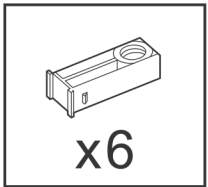
2



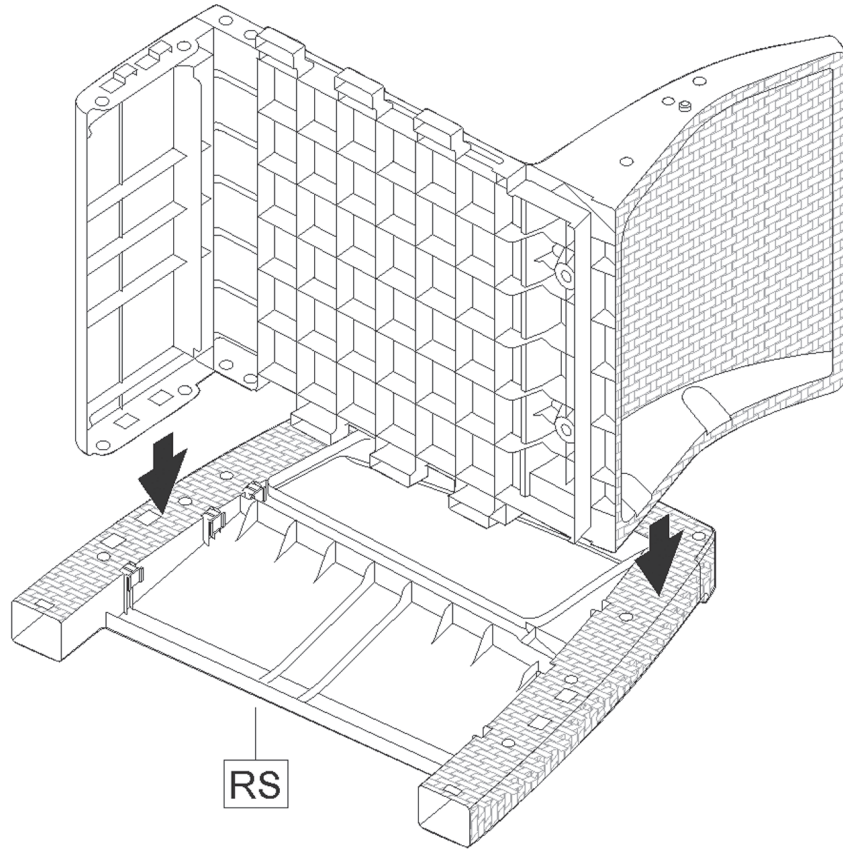
3



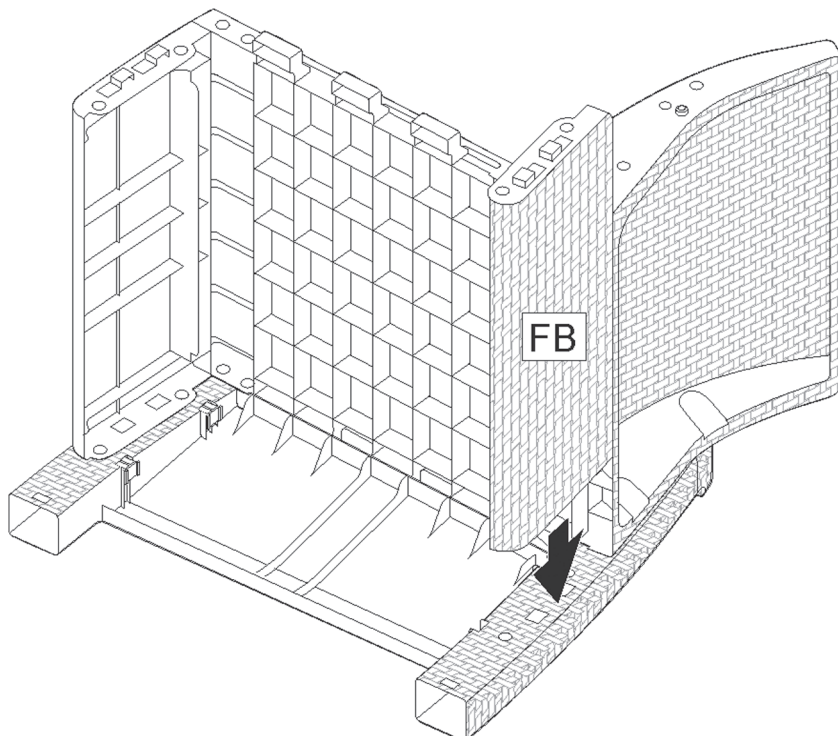
4



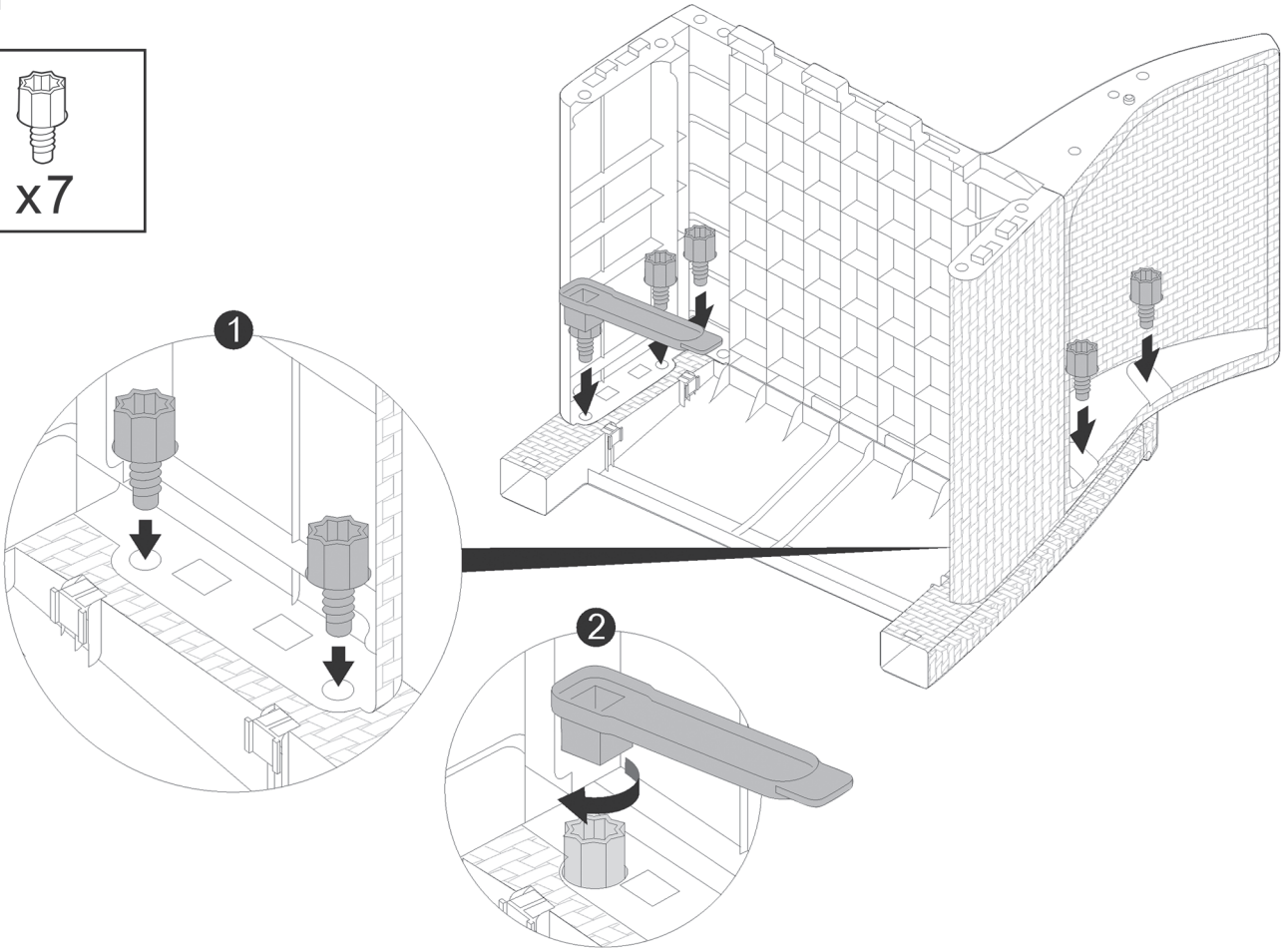
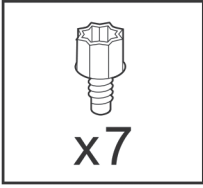
5



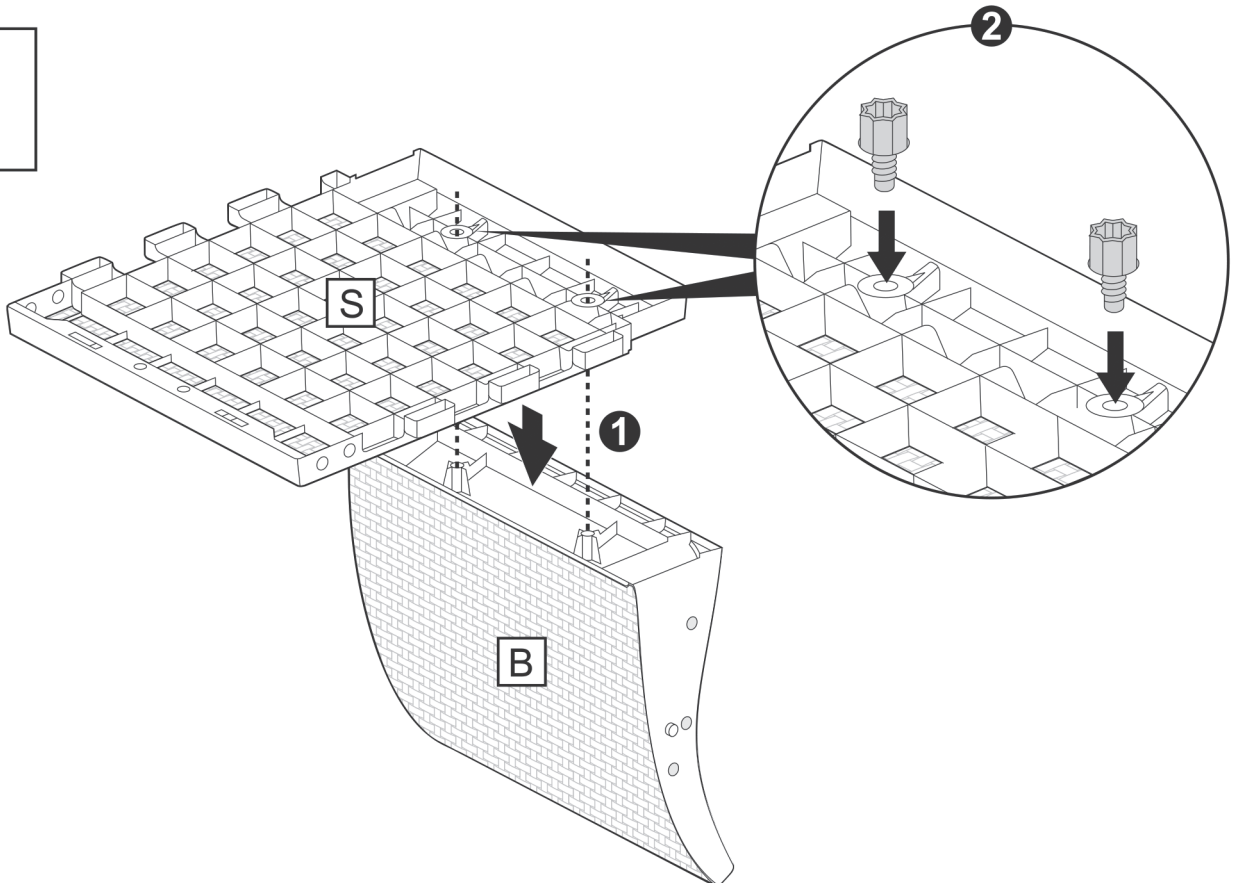
6



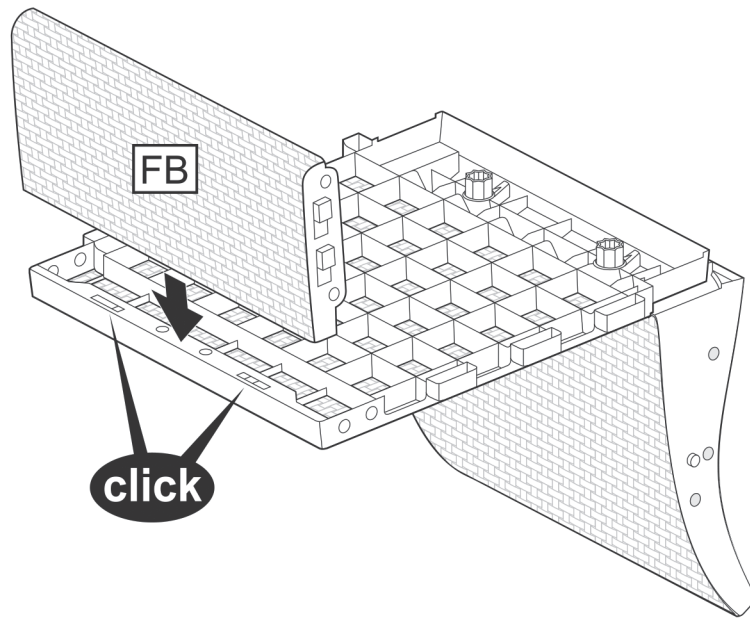
7



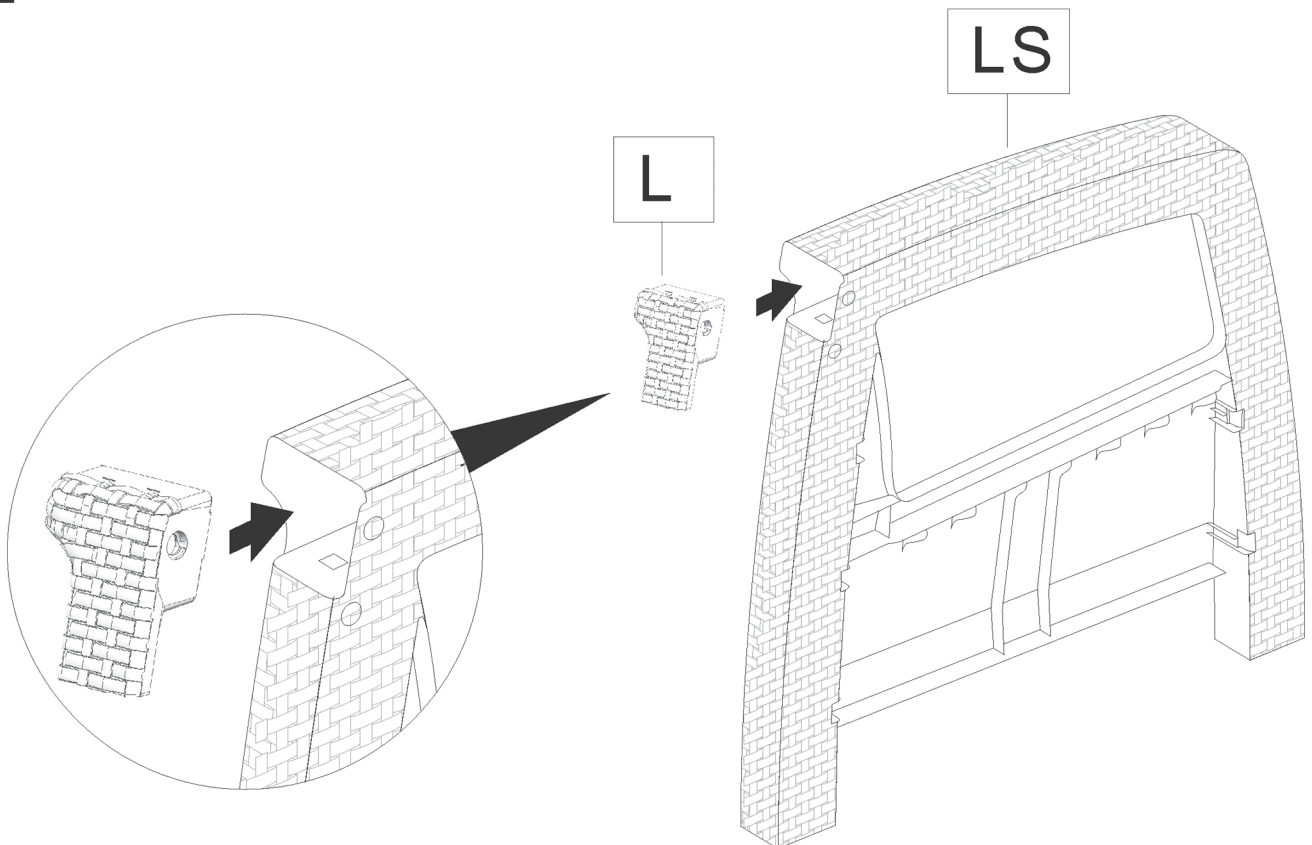
8



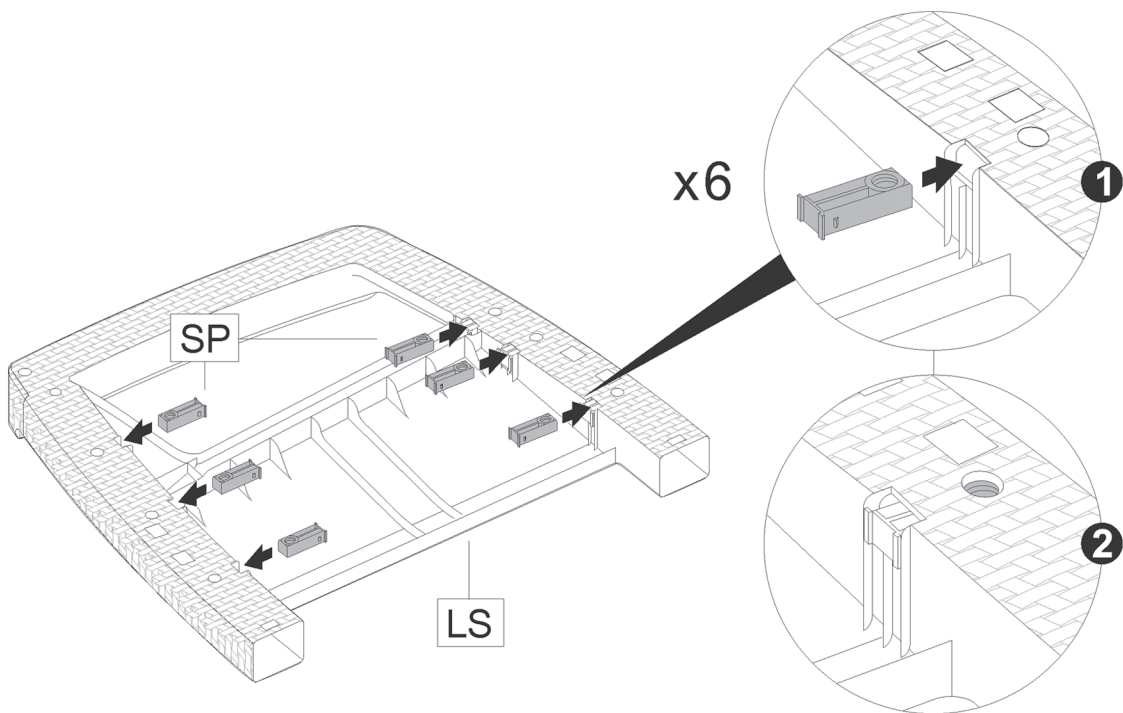
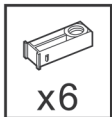
9



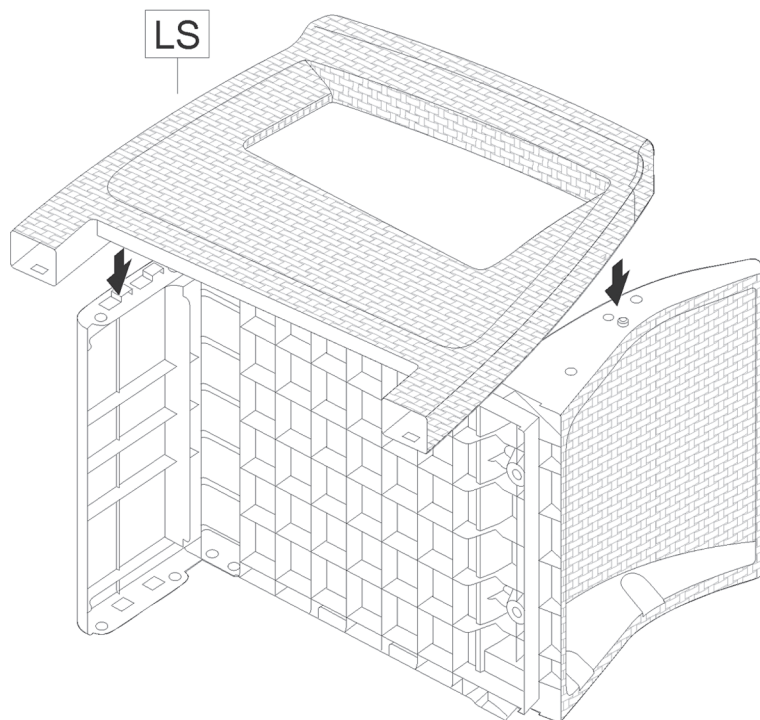
10

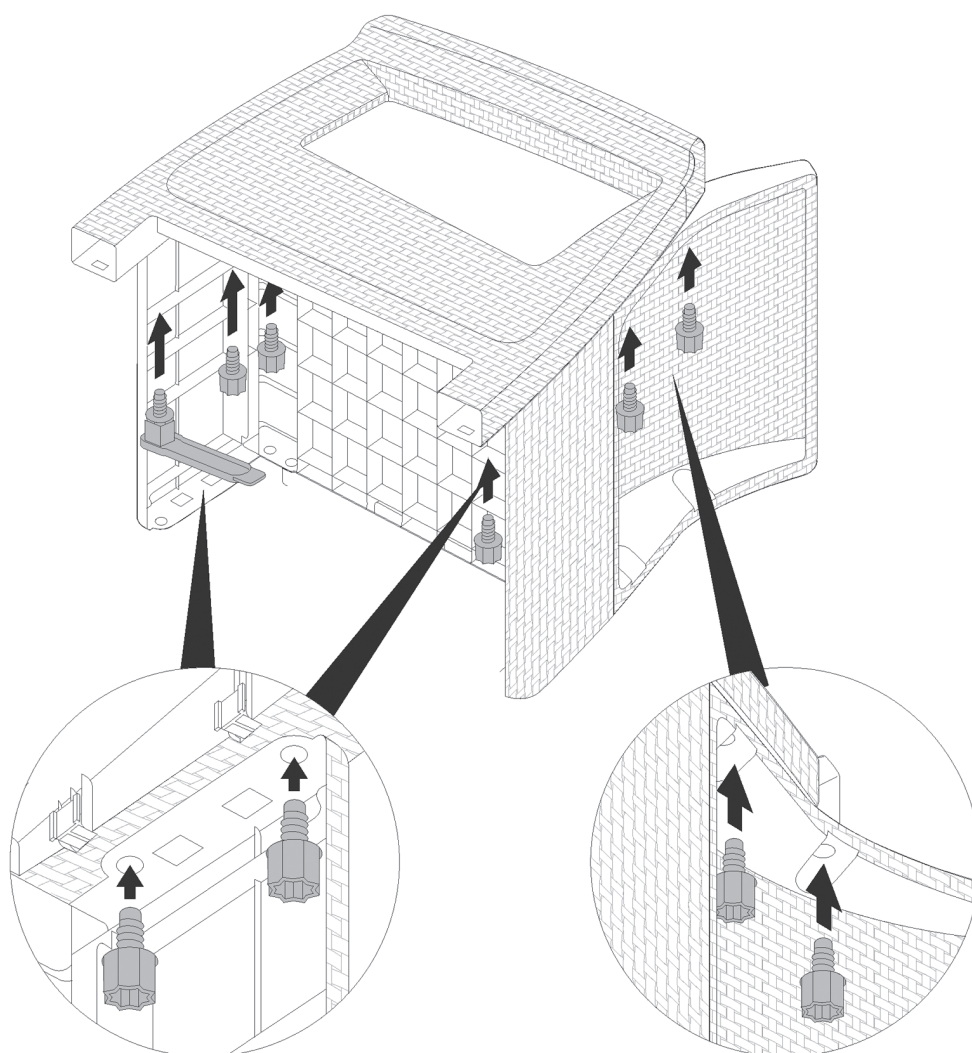
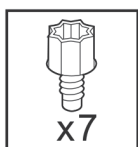
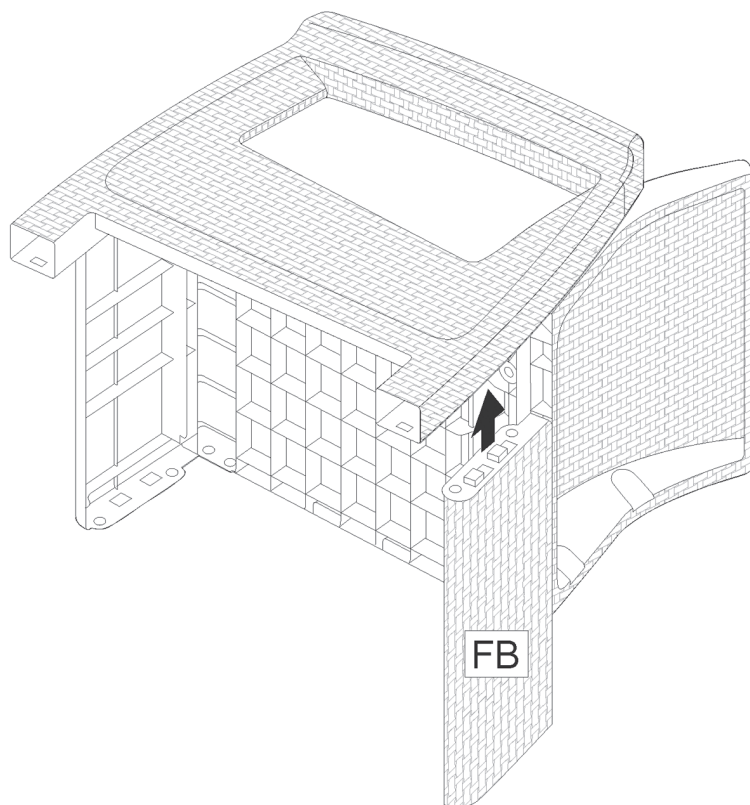


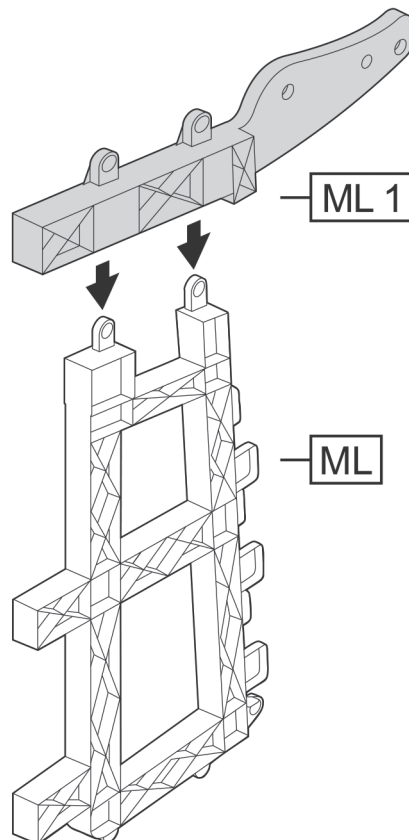
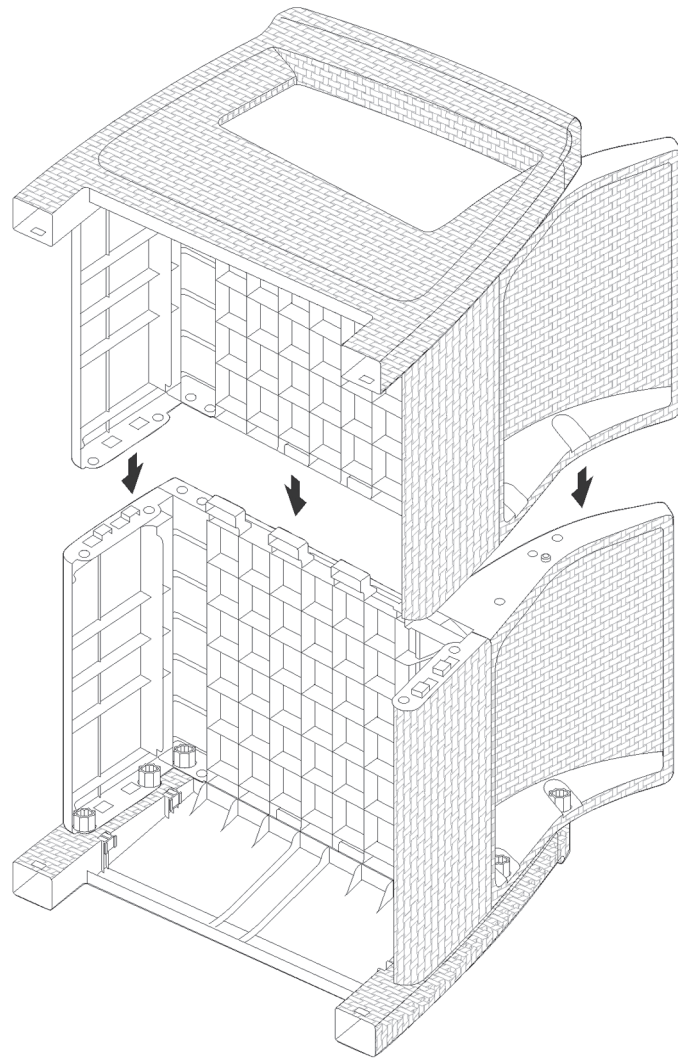
11



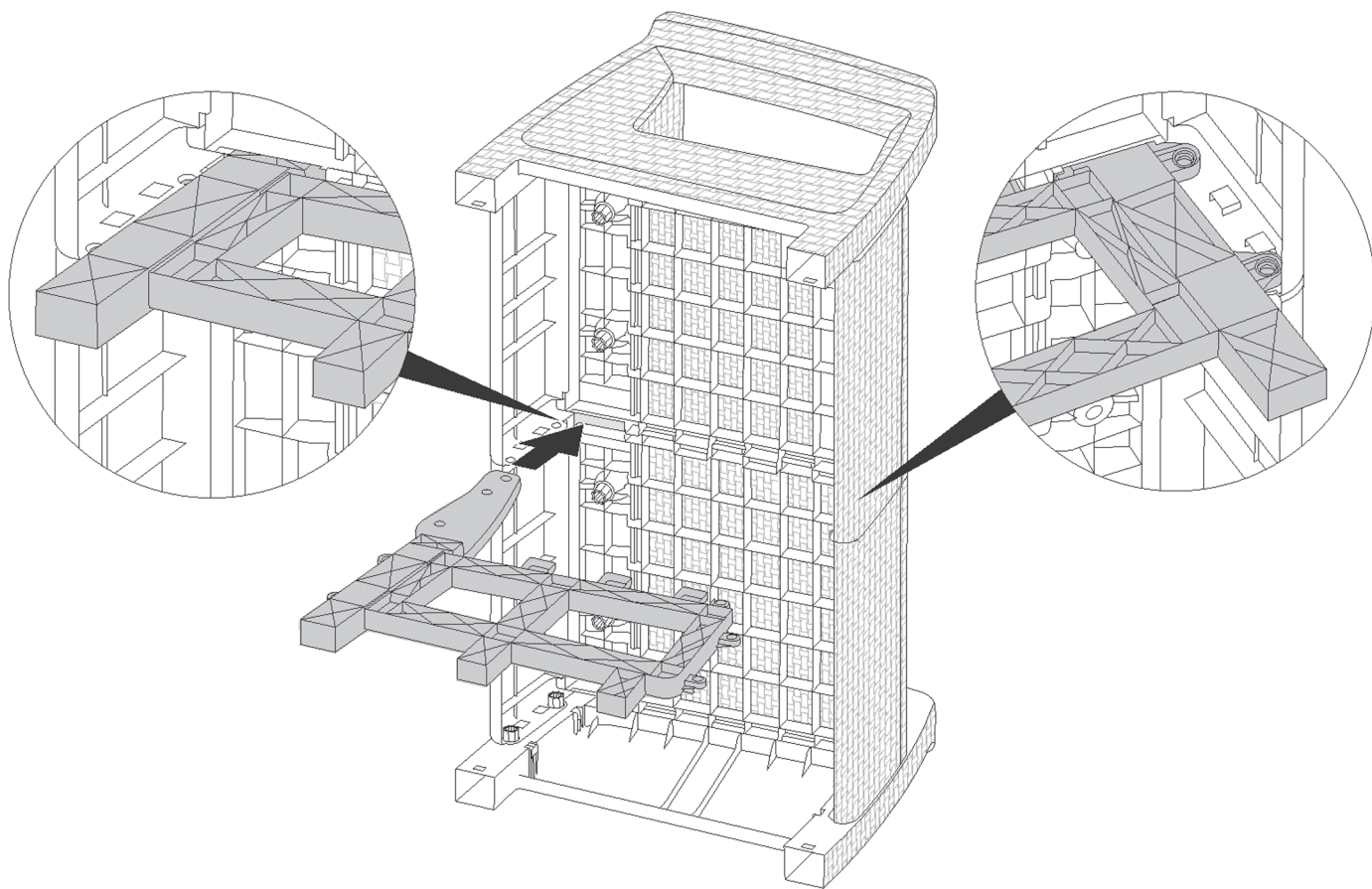
12







17



18

