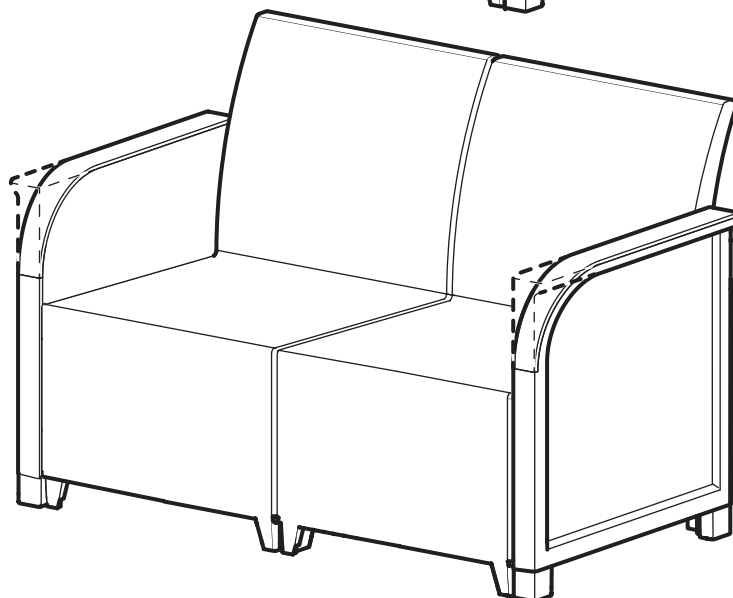
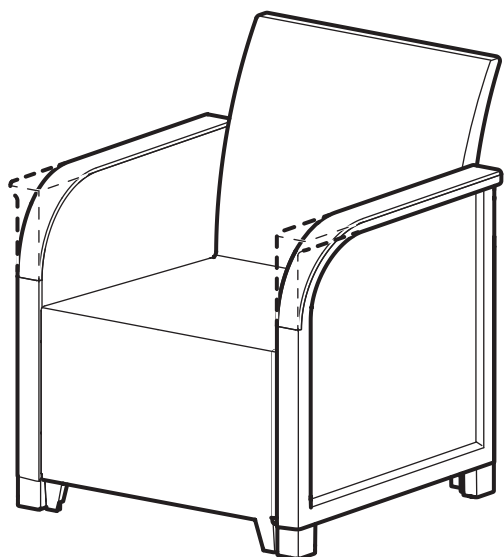
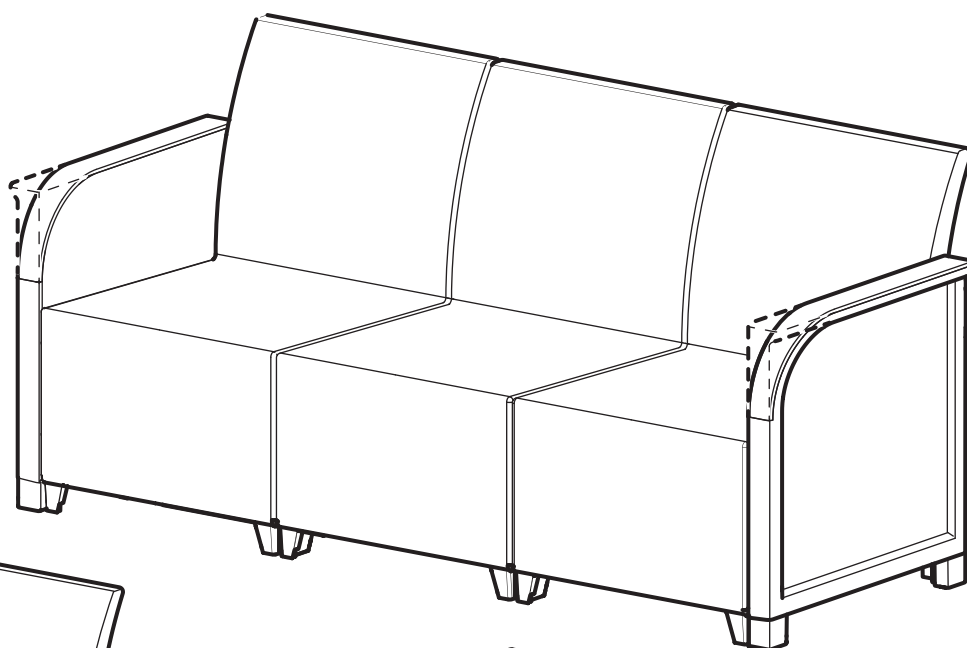
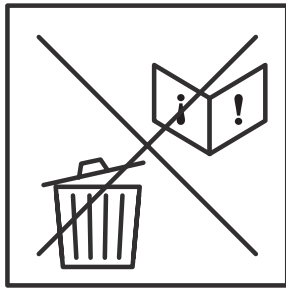
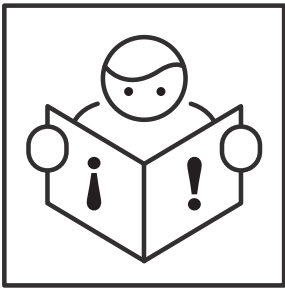
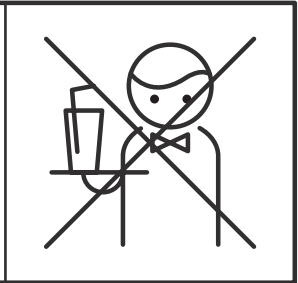
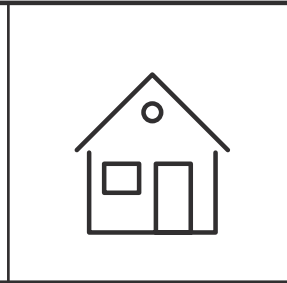


ВЕРБА

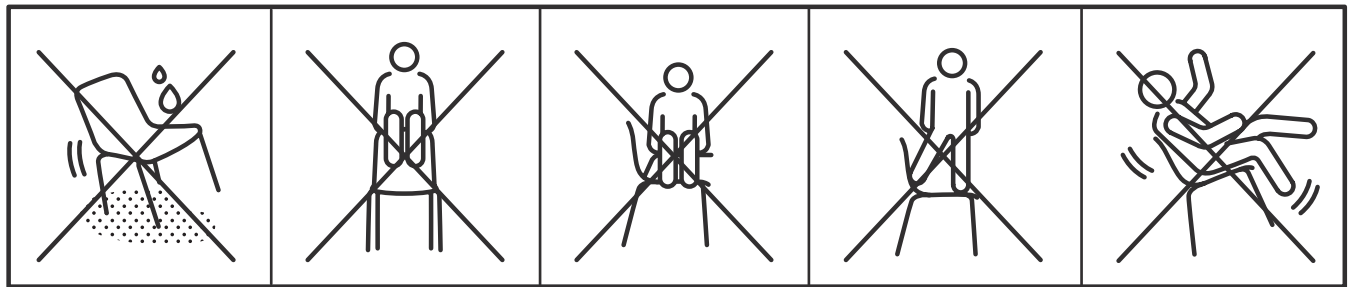


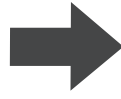
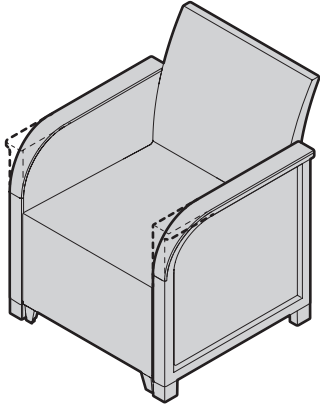


	<input type="checkbox"/> AMERICA
	<input checked="" type="checkbox"/> EUROPE
- Geprüfte Sicherheit - EN 581	

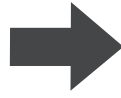
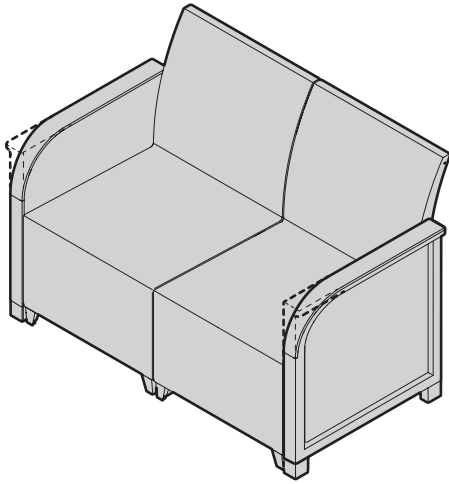


<p><40 °C >0</p> <p><104 °F >32</p>	<p></p> <p>110 Kg</p> <p>240 Lb</p> <p>MAX</p>	
---	--	--

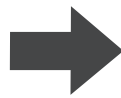
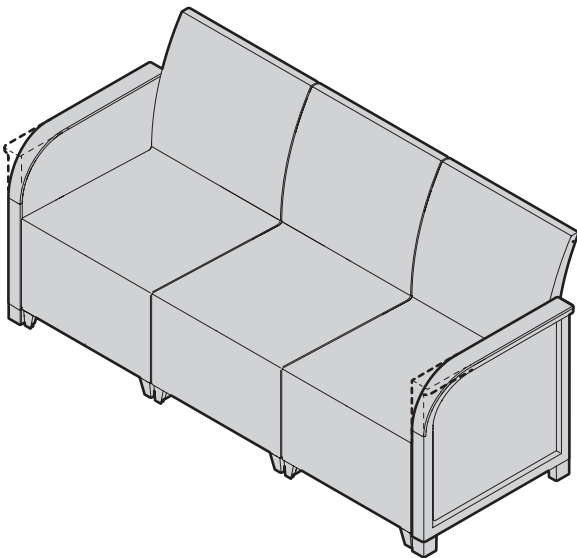




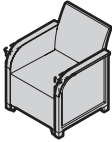
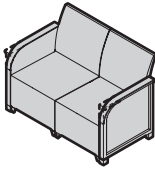
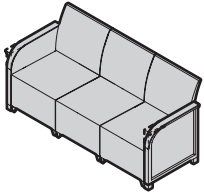
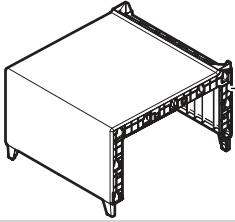
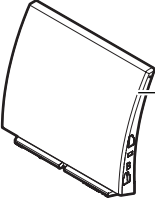
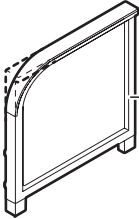
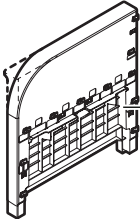
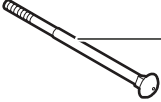

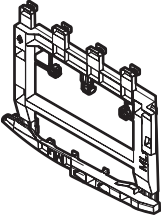
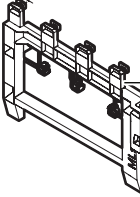
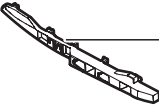


1 — 4



5 — 13

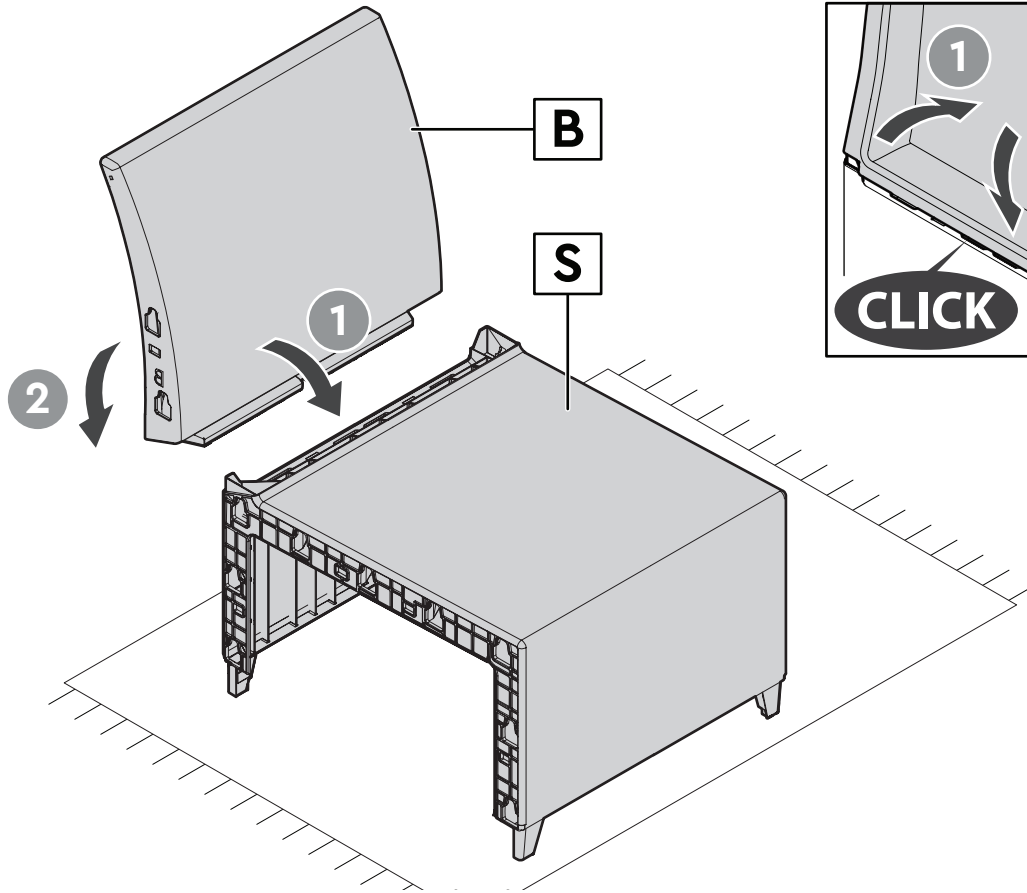


5 — 13

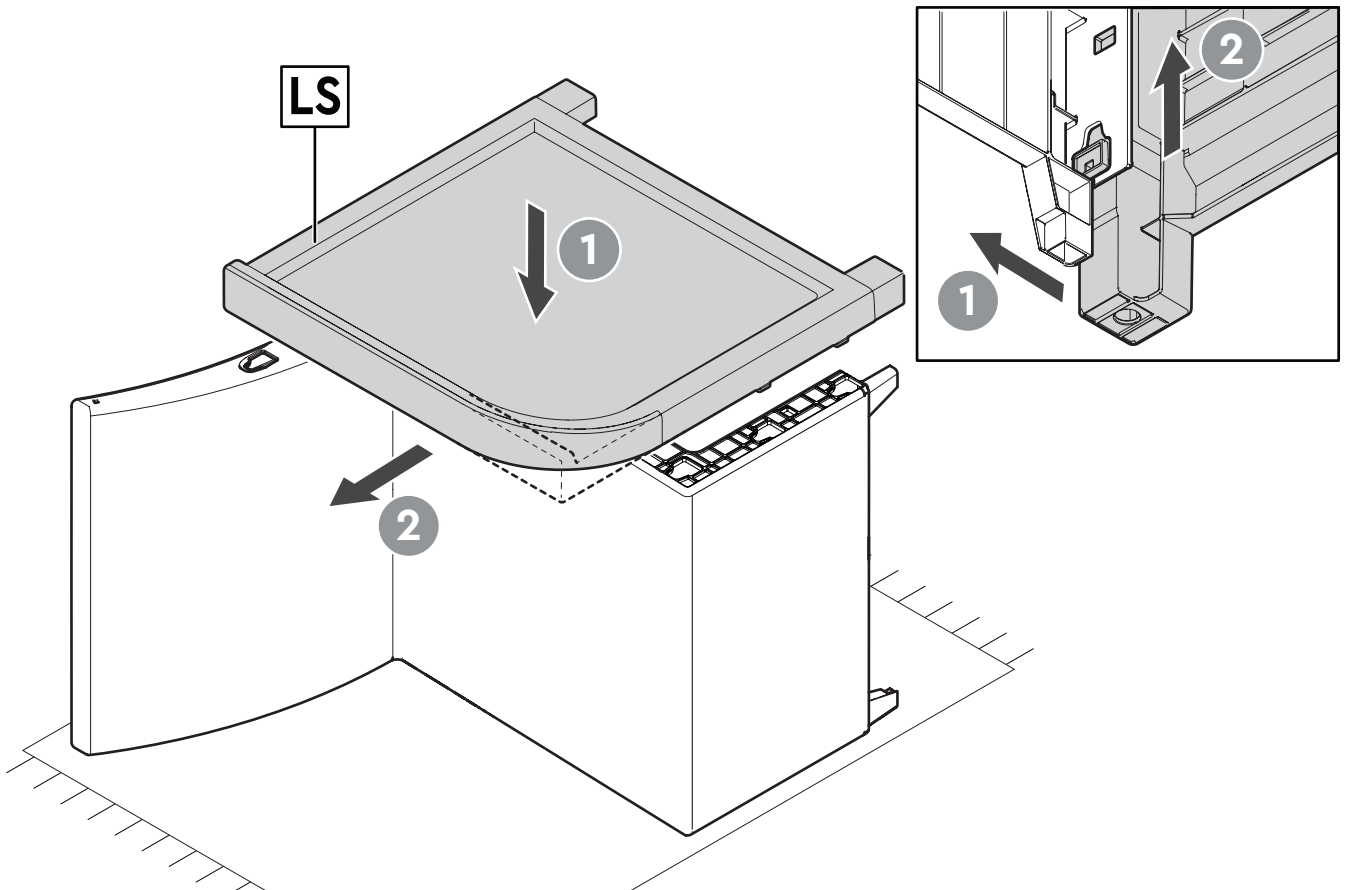
				
	Chair	2-Seater sofa	3-Seater sofa	
 S	1	2	3	
 B	1	2	3	
 LS	1	1	1	
 RS	1	1	1	
 Y	-	1	2	
 Z	-	1	2	
	 MLs	-	1	2
	 MLb	-	1	2
	 P1	-	1	2
	 P2	-	2	4



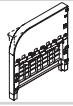
1



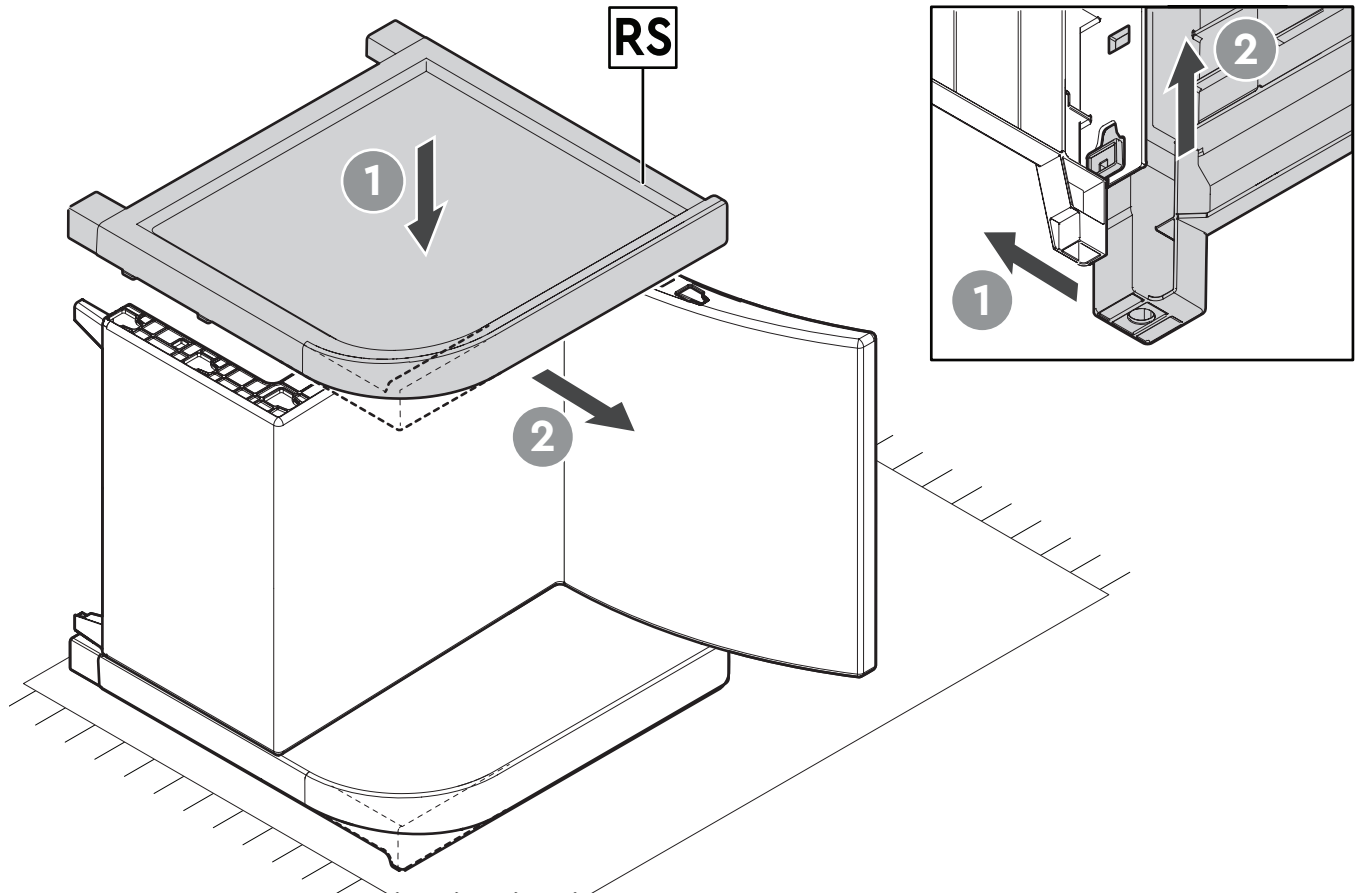
2



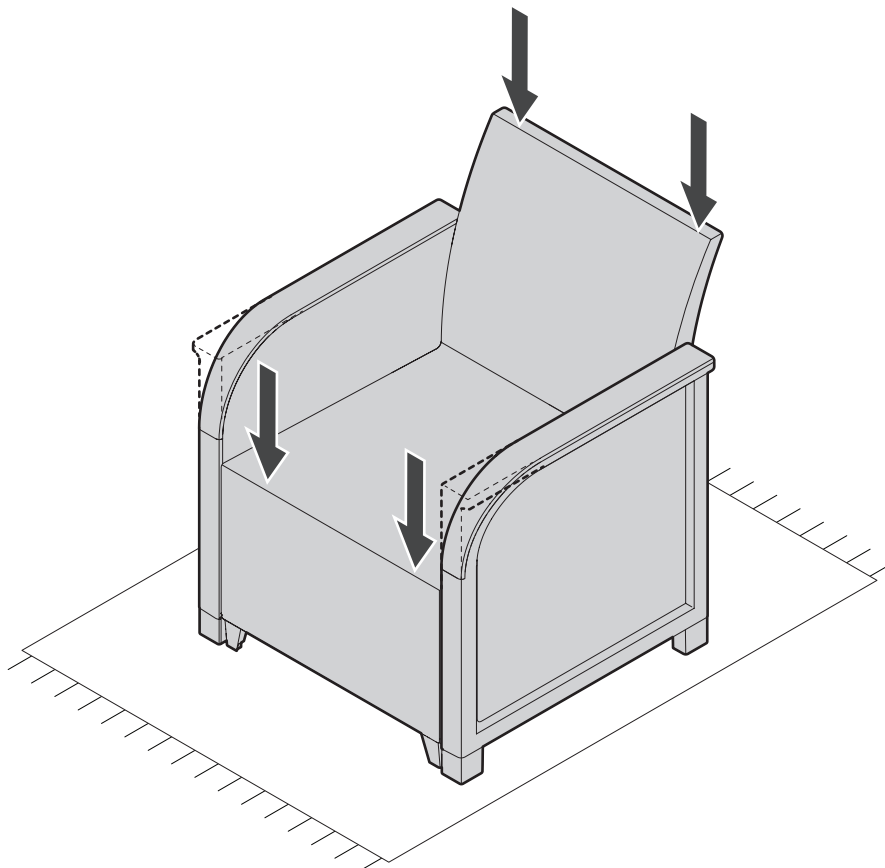
3

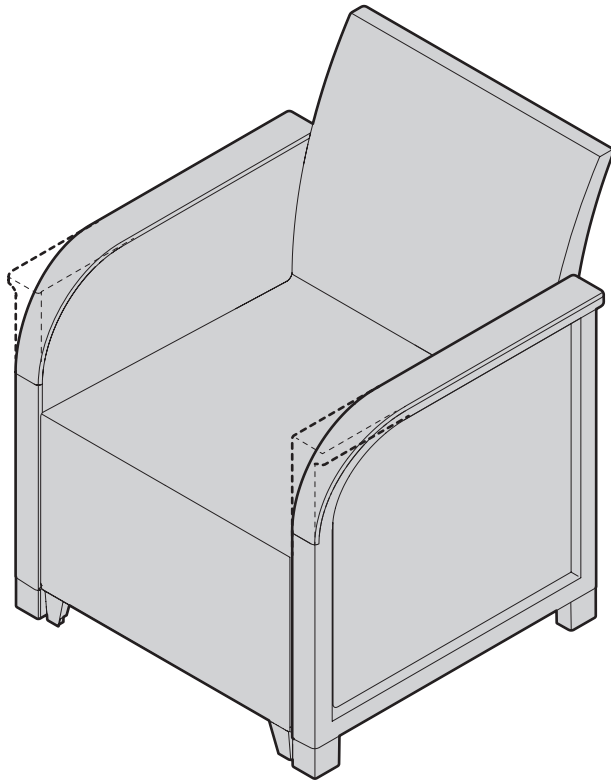


RSx1

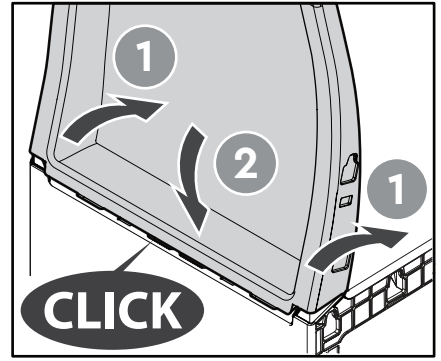
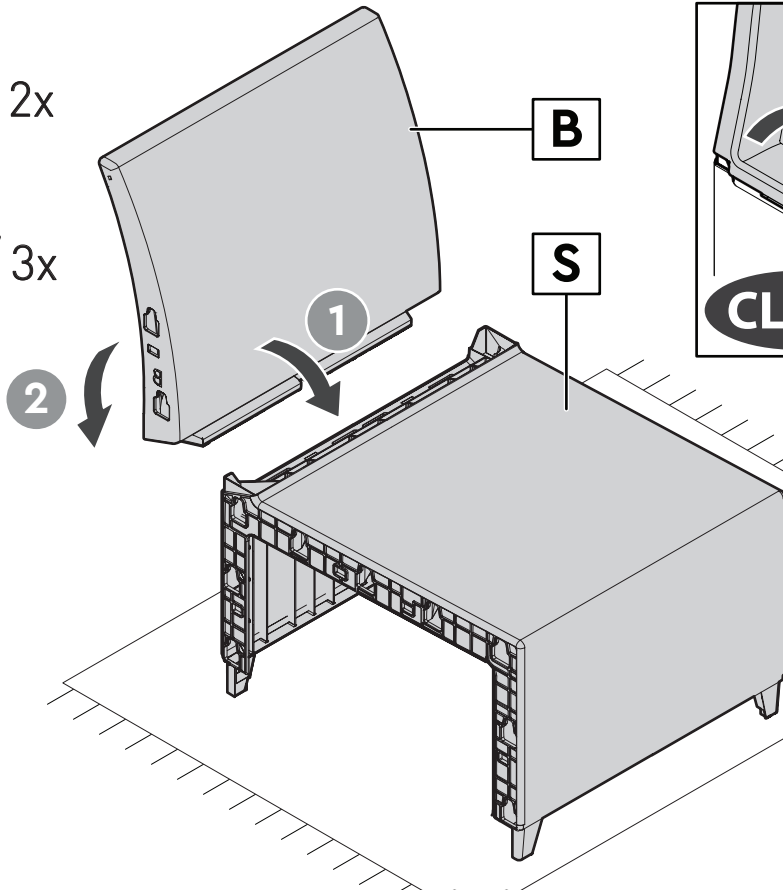
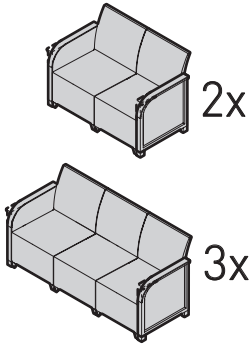


4

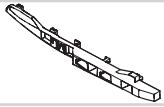




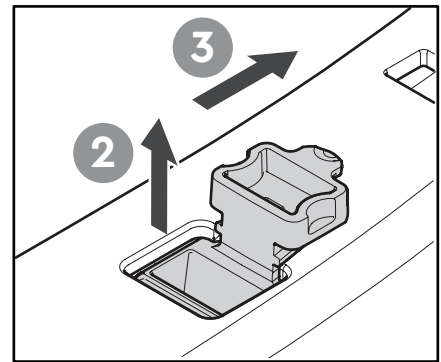
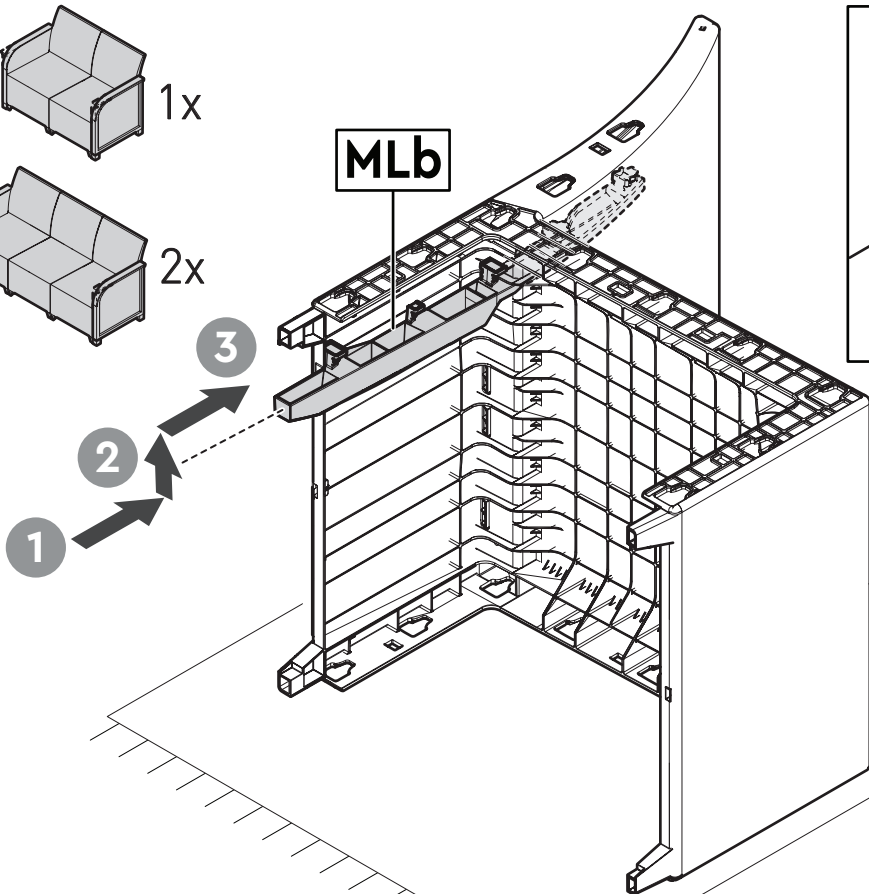
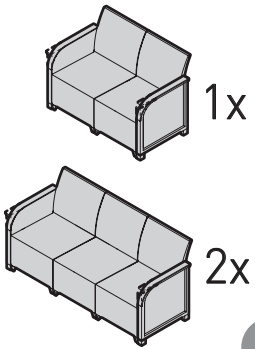
5



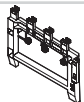
6



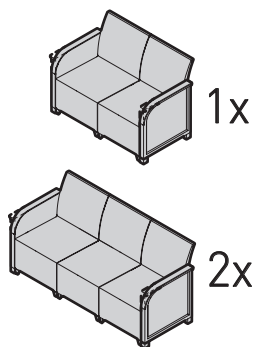
MLbx1



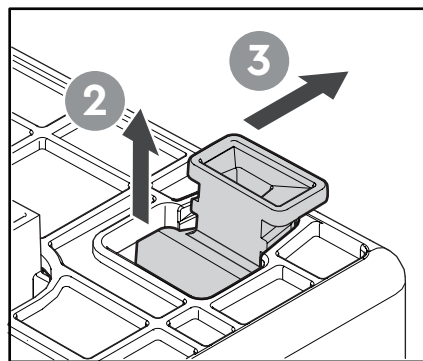
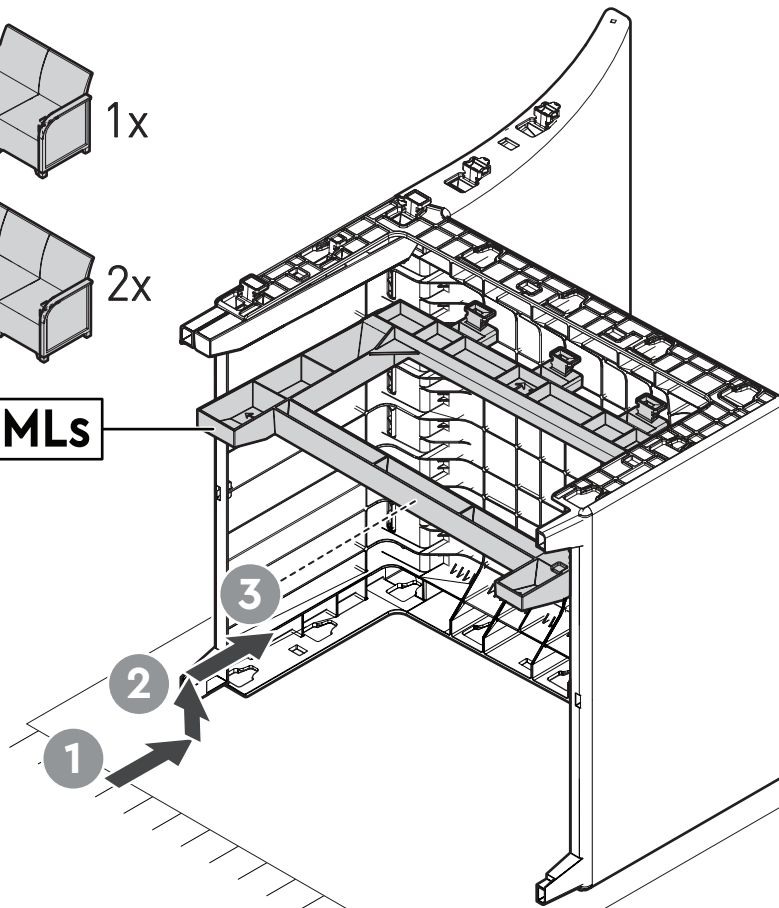
7



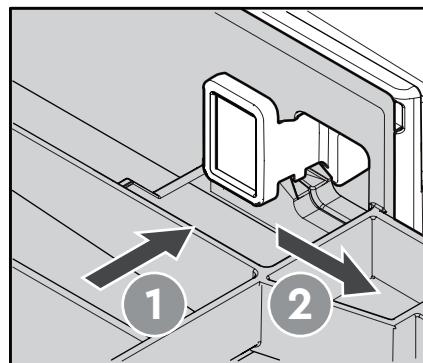
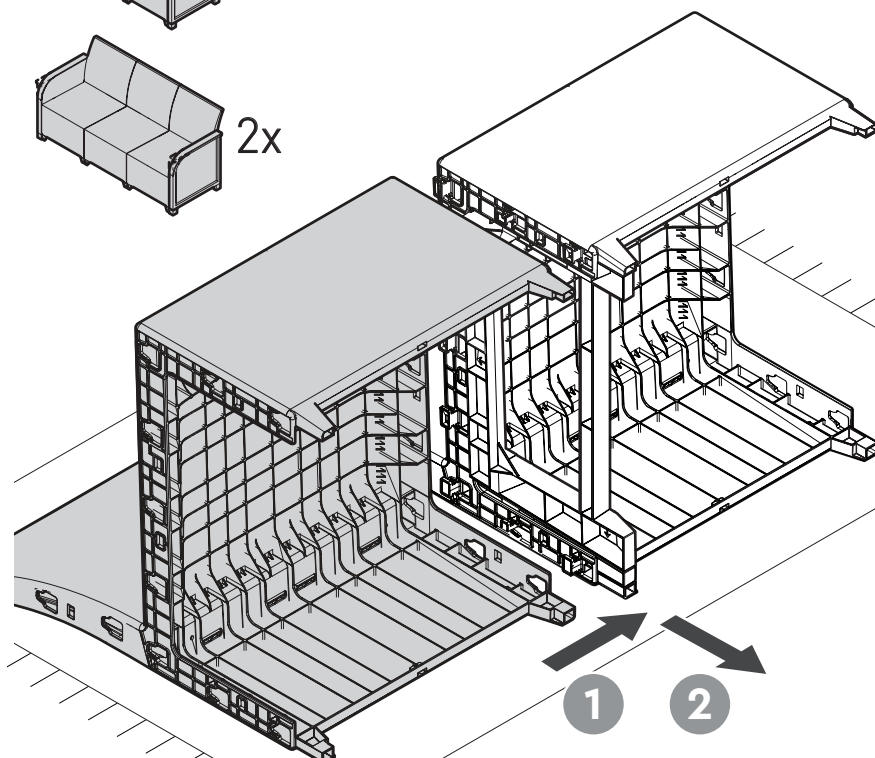
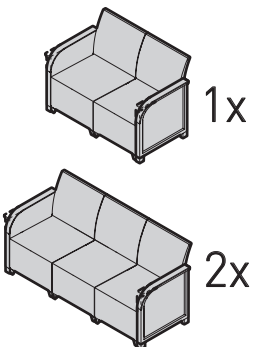
MLs x1



MLs



8



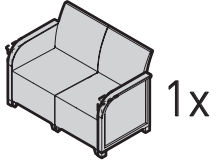
9



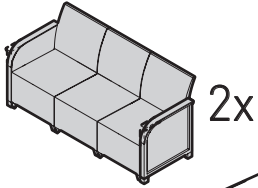
P1x1



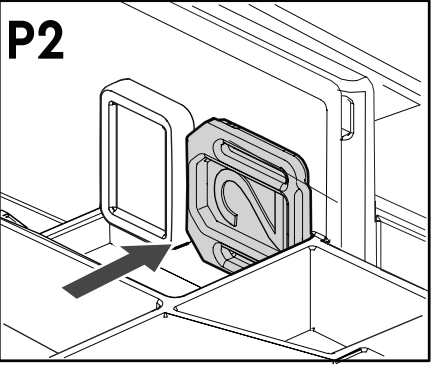
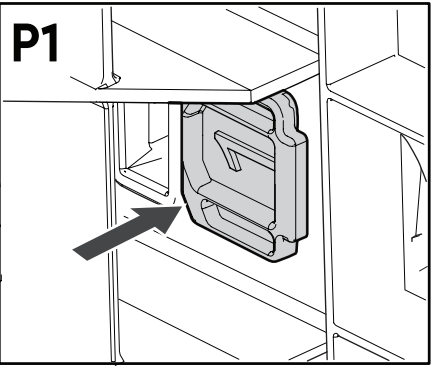
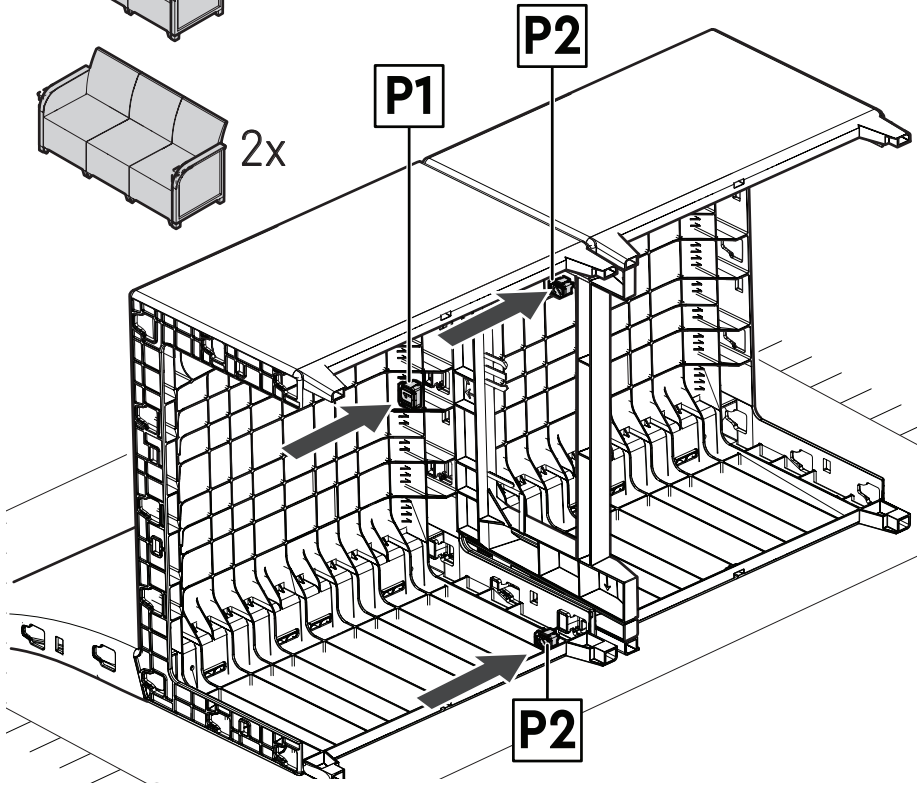
P2x2



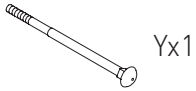
1x



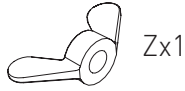
2x



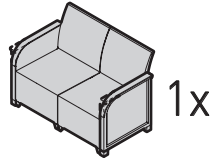
10



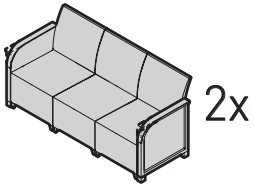
Yx1



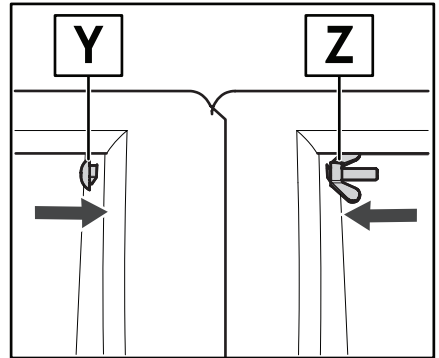
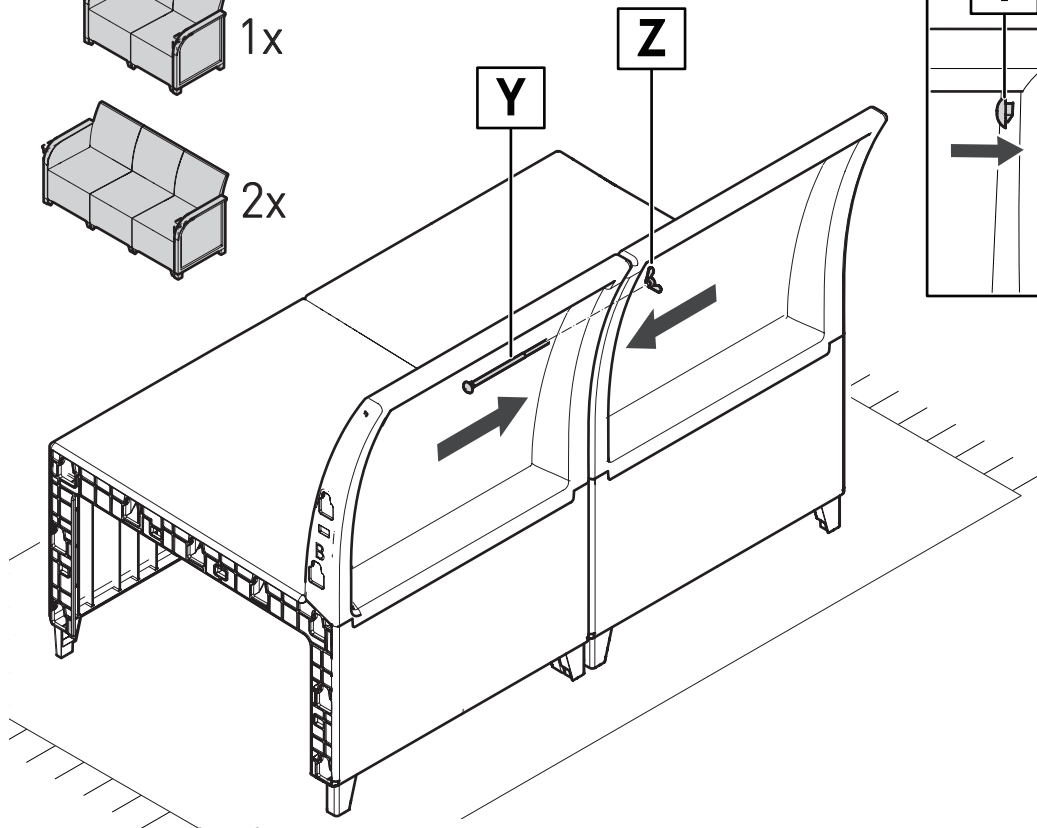
Zx1



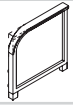
1x



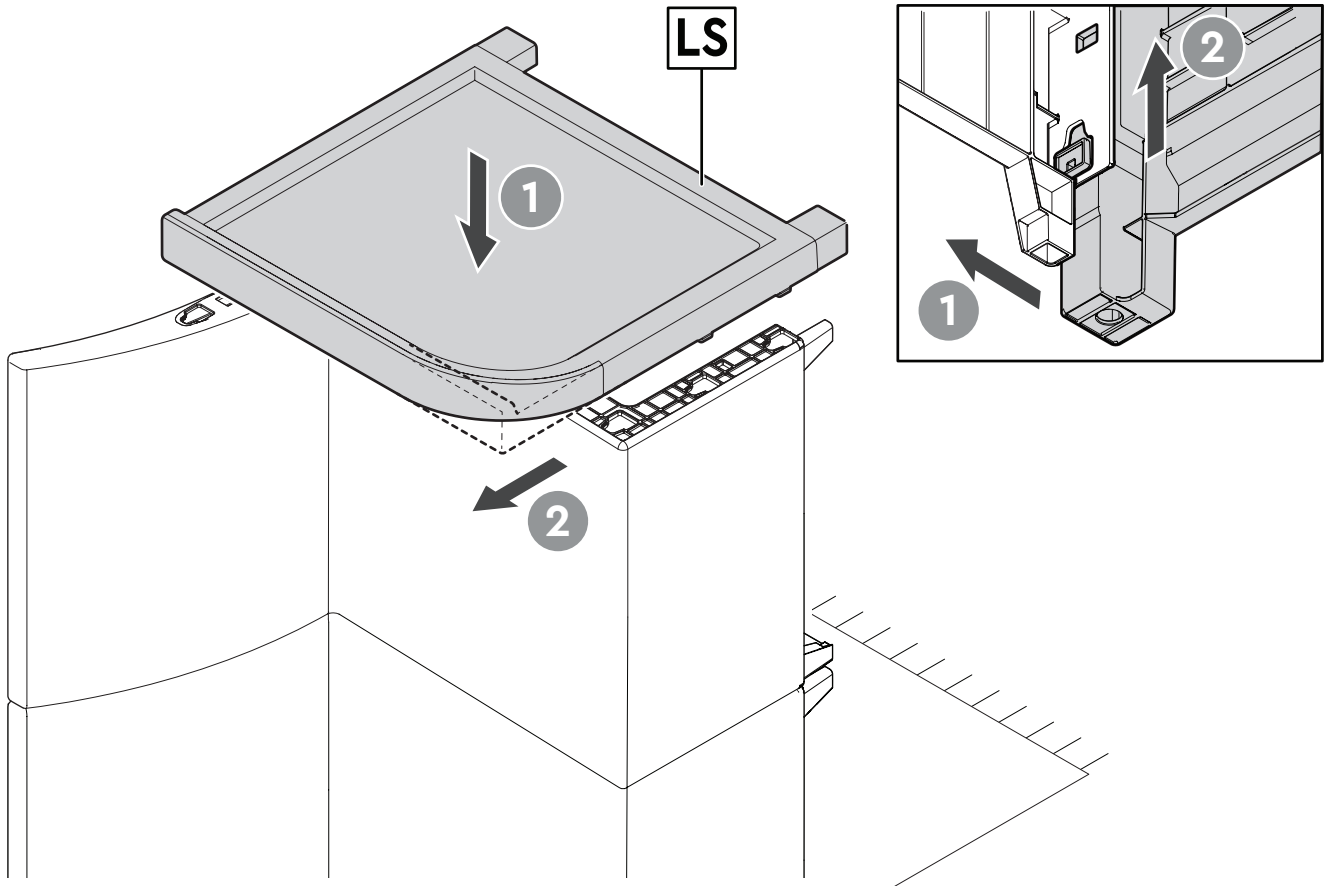
2x



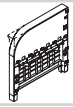
11



LSx1



12



RSx1

