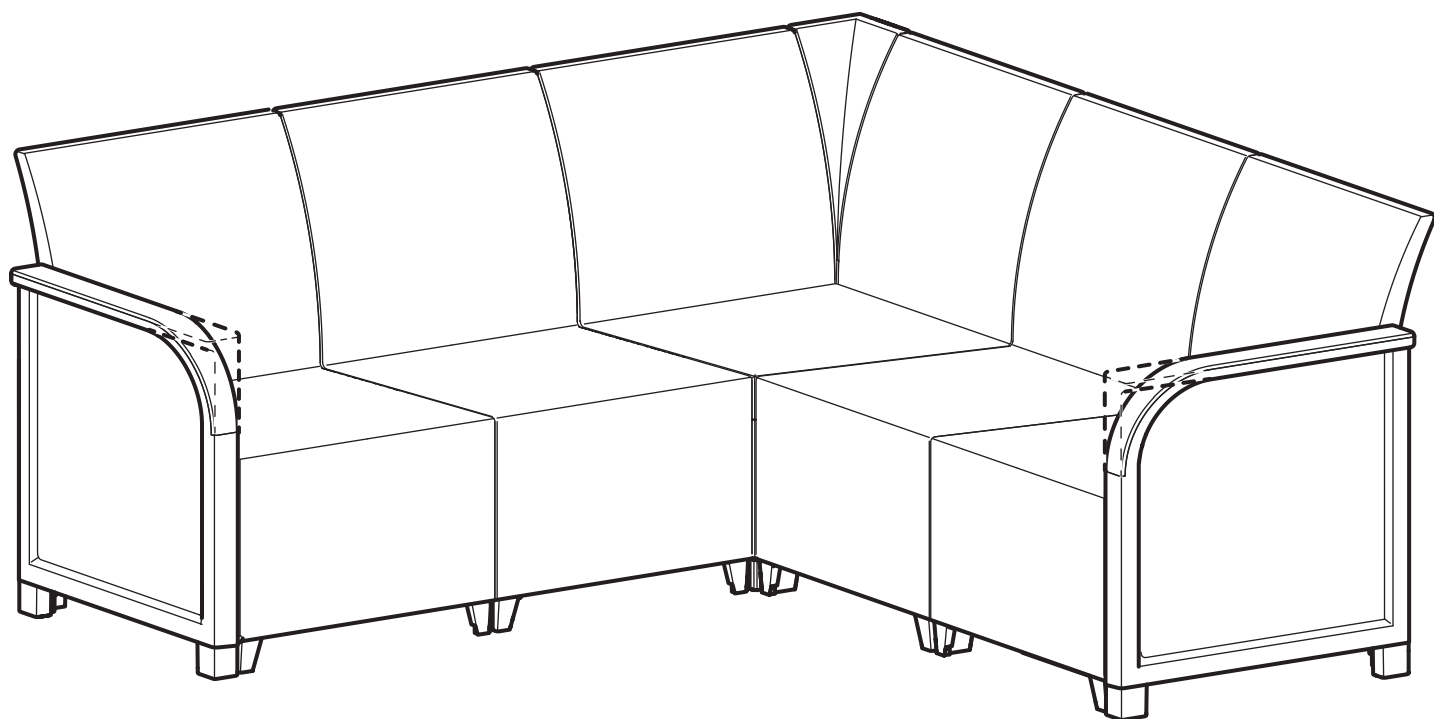
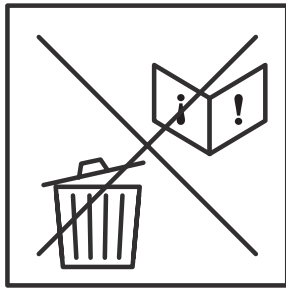
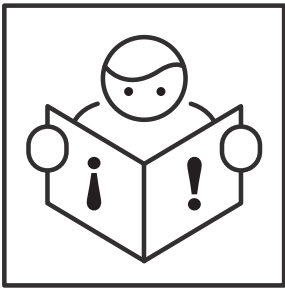
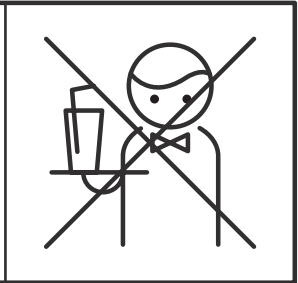
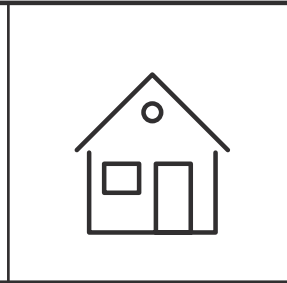


БУК

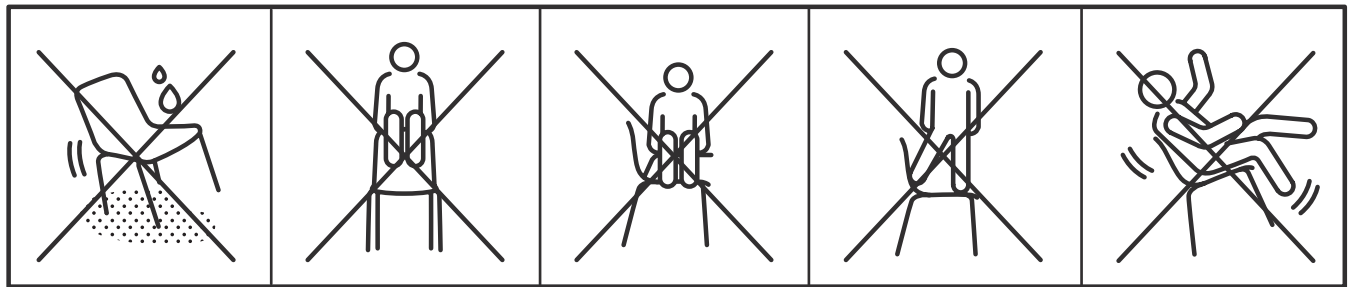


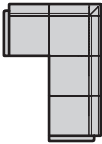
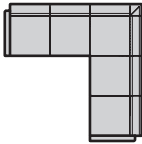
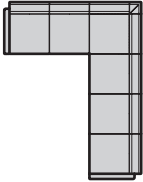
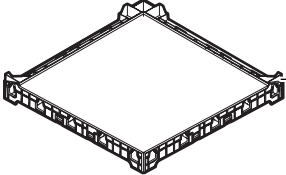
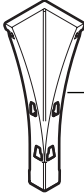
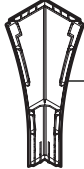
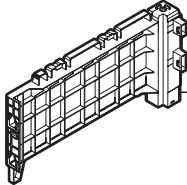
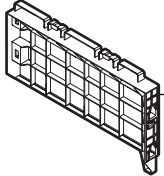
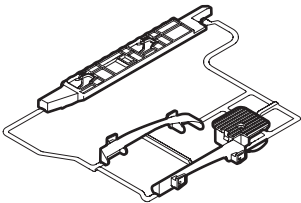
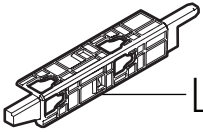

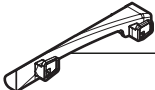



	<input type="checkbox"/> AMERICA
	<input checked="" type="checkbox"/> EUROPE
- Geprüfte Sicherheit - EN 581	

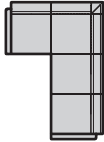
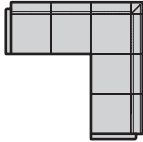
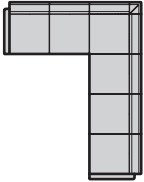
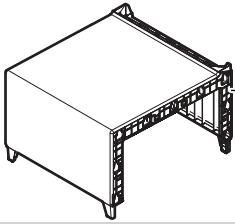
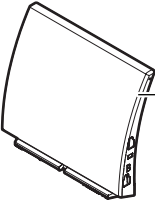
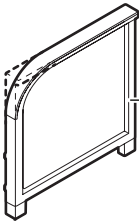
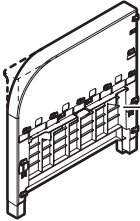
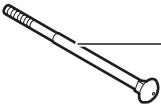

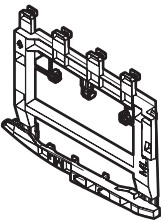
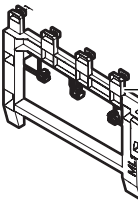
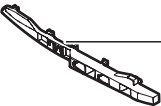





<p><40 °C</p> <p>>0</p>	<p><104 °F</p> <p>>32</p>	<p></p> <p>110 Kg</p> <p>240 Lb</p> <p>MAX</p>	
-----------------------------------	-------------------------------------	--	--

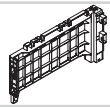


				
	4-Seater	5-Seater	6-Seater	
 <p>CS</p>	1	1	1	
 <p>T</p>	1	1	1	
 <p>TC</p>	1	1	1	
 <p>L1</p>	1	1	1	
 <p>L2</p>	1	1	1	
	 <p>LF</p>	1	1	1
	 <p>C1</p>	1	1	1
	 <p>C2</p>	1	1	1
	 <p>LP</p>	1	1	1

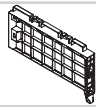


					
		4-Seater	5-Seater	6-Seater	
	S	3	4	5	
	B	5	6	7	
	LS	1	1	1	
	RS	1	1	1	
	Y	5	6	7	
	Z	5	6	7	
		MLs	3	4	5
		MLb	3	4	5
		P1	3	4	5
		P2	6	8	10
					

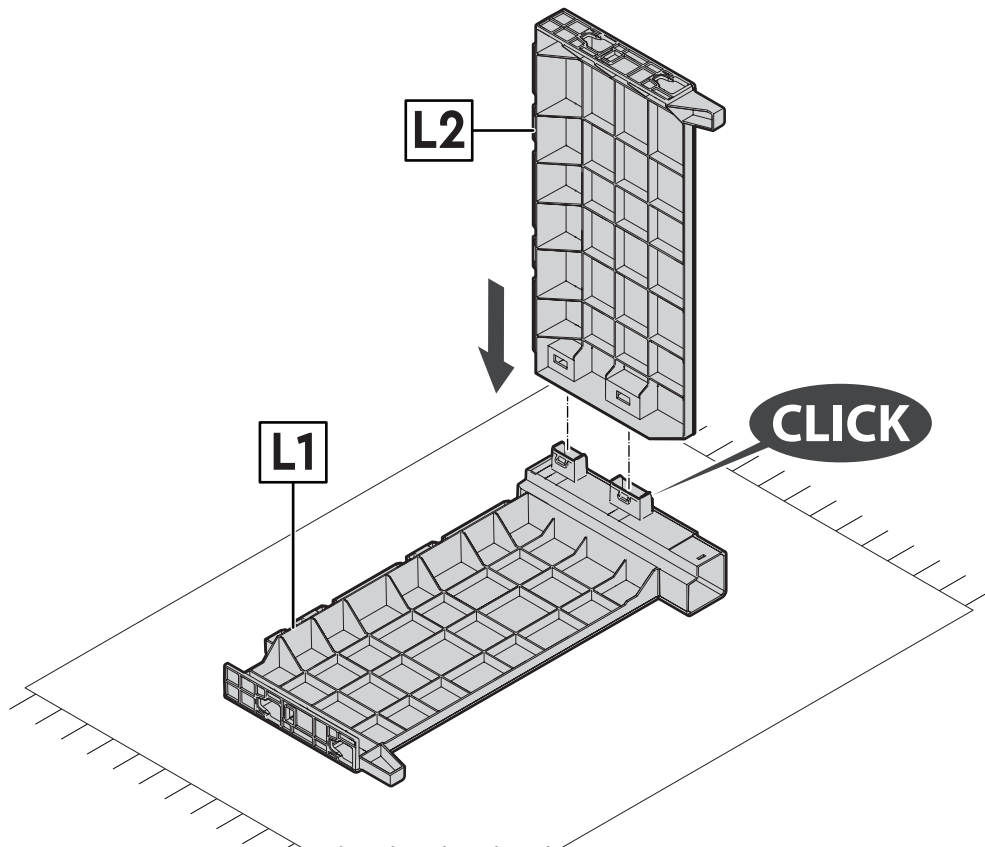
1



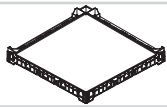
L1x1



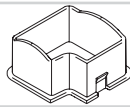
L2x1



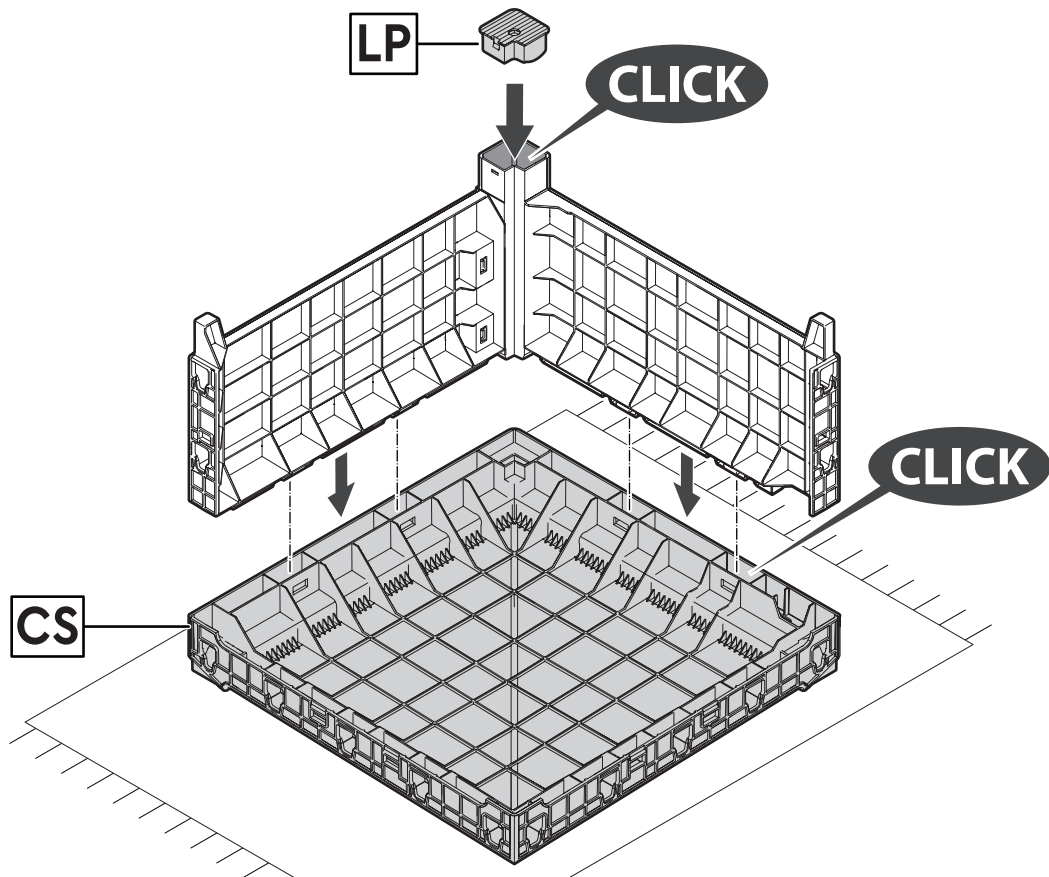
2



CSx1



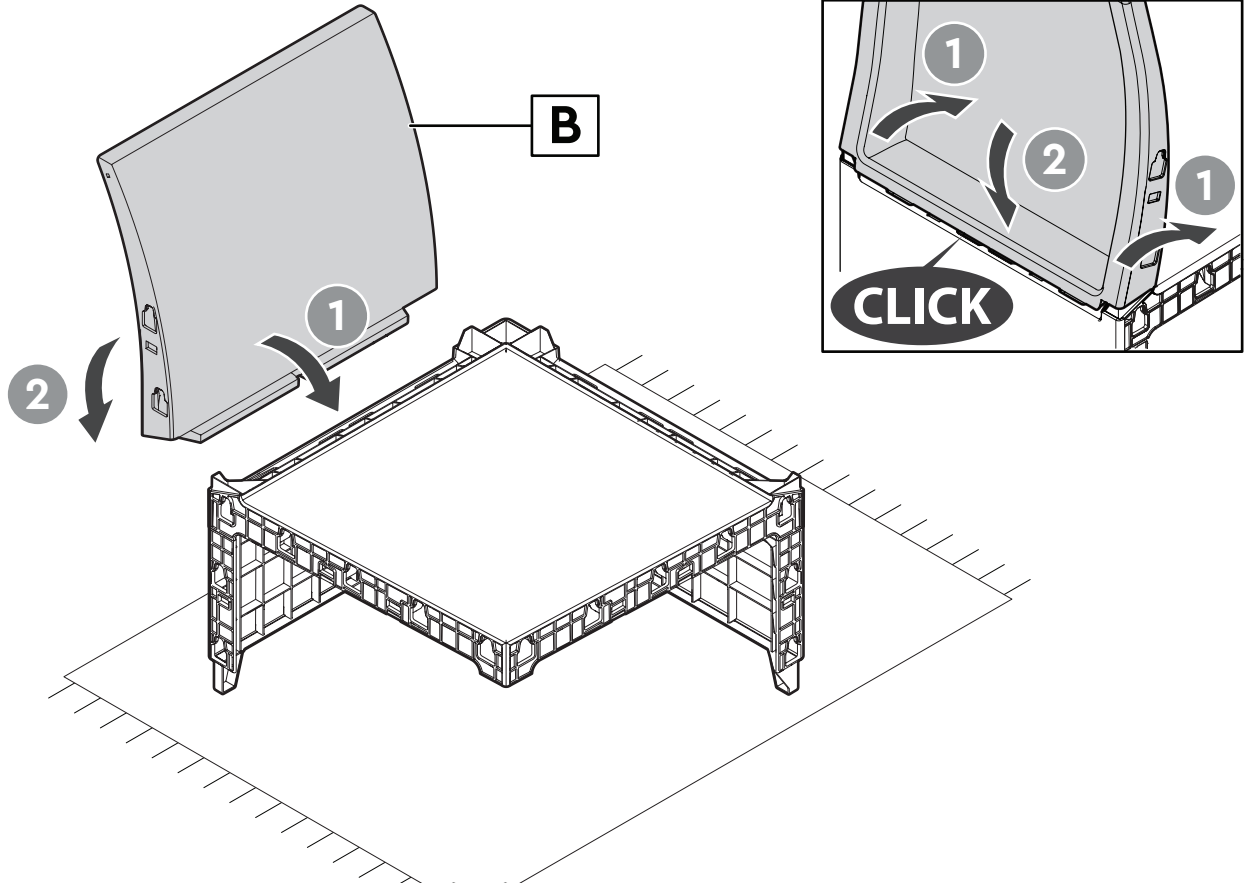
LPx1



3



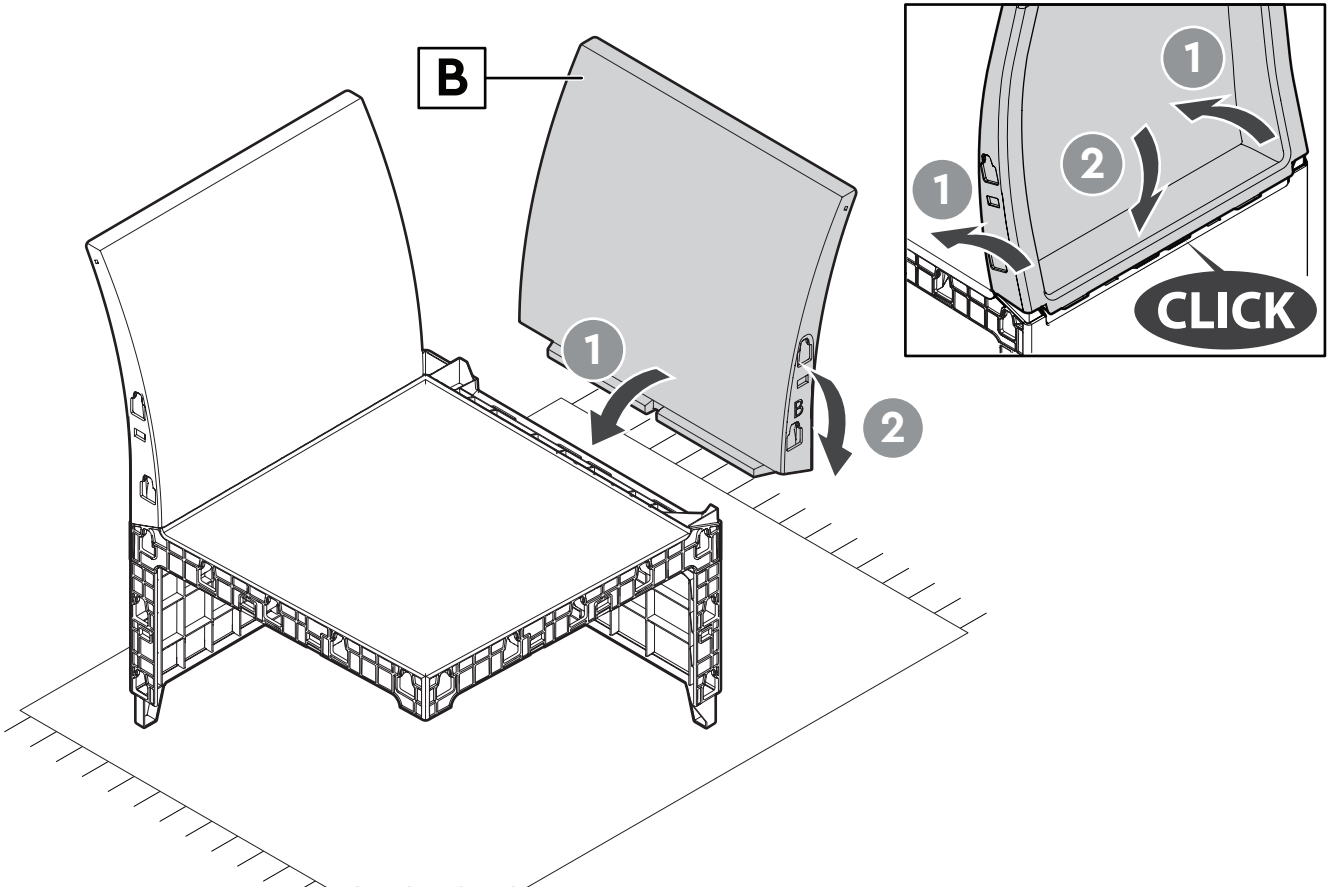
Bx1



4



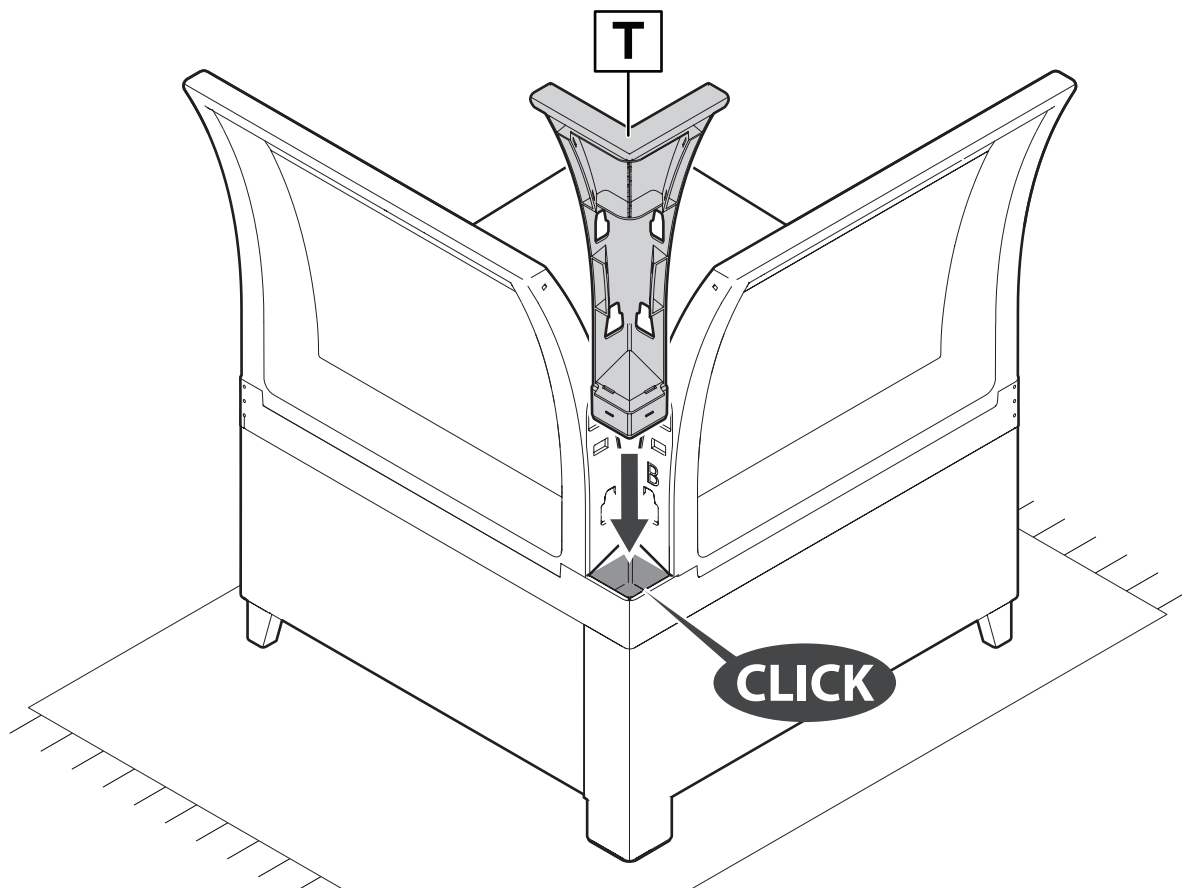
Bx1



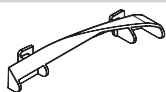
5



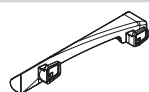
Tx1



6



C1x1



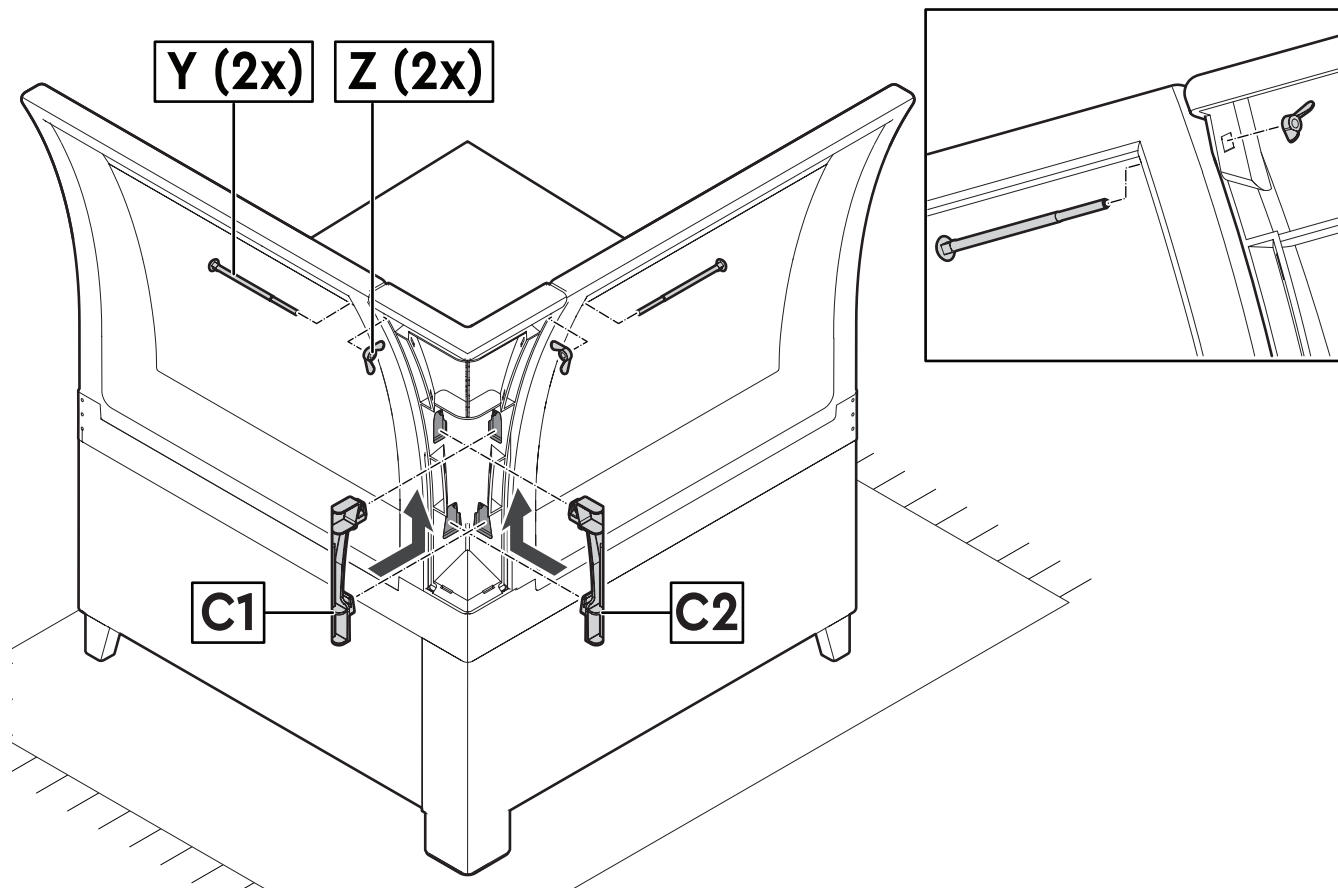
C2x1



Yx2



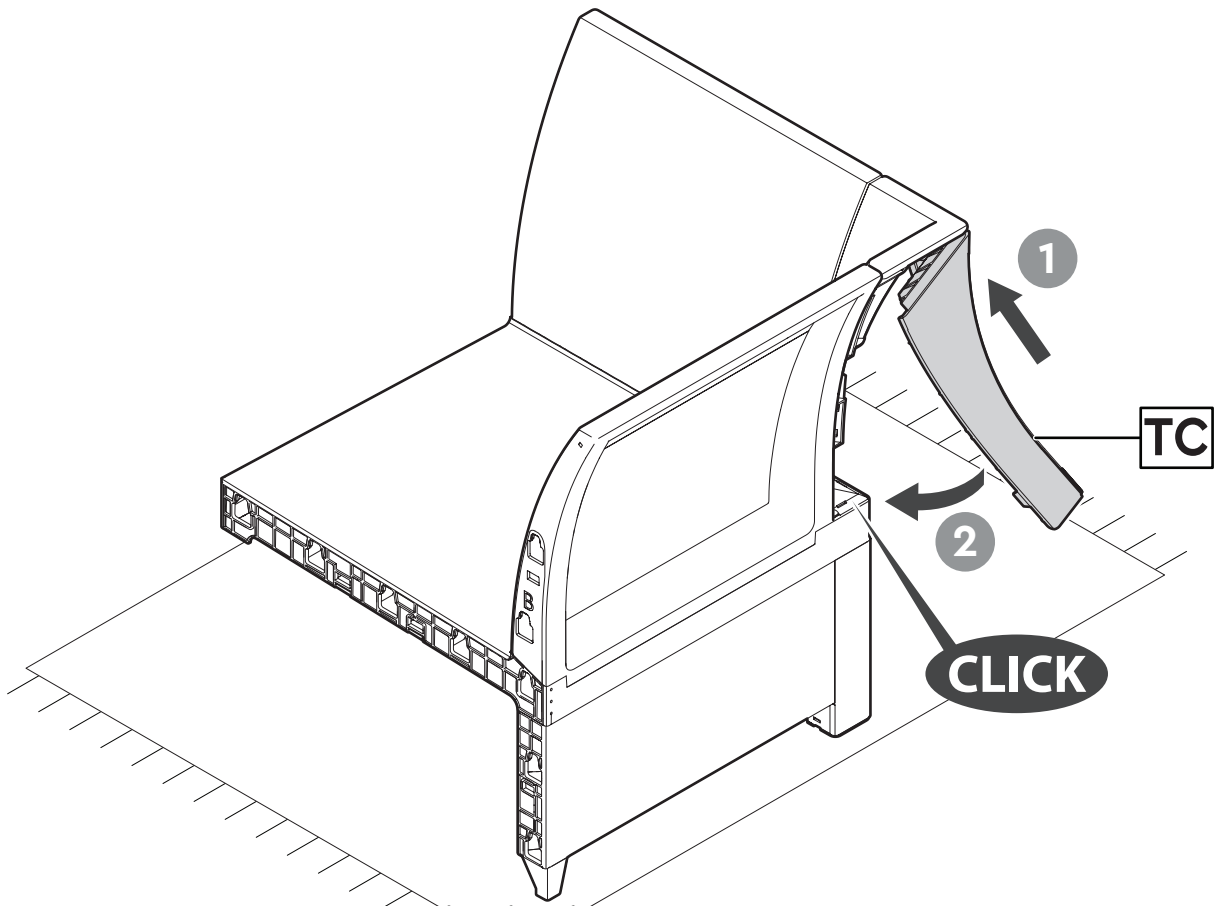
Zx2



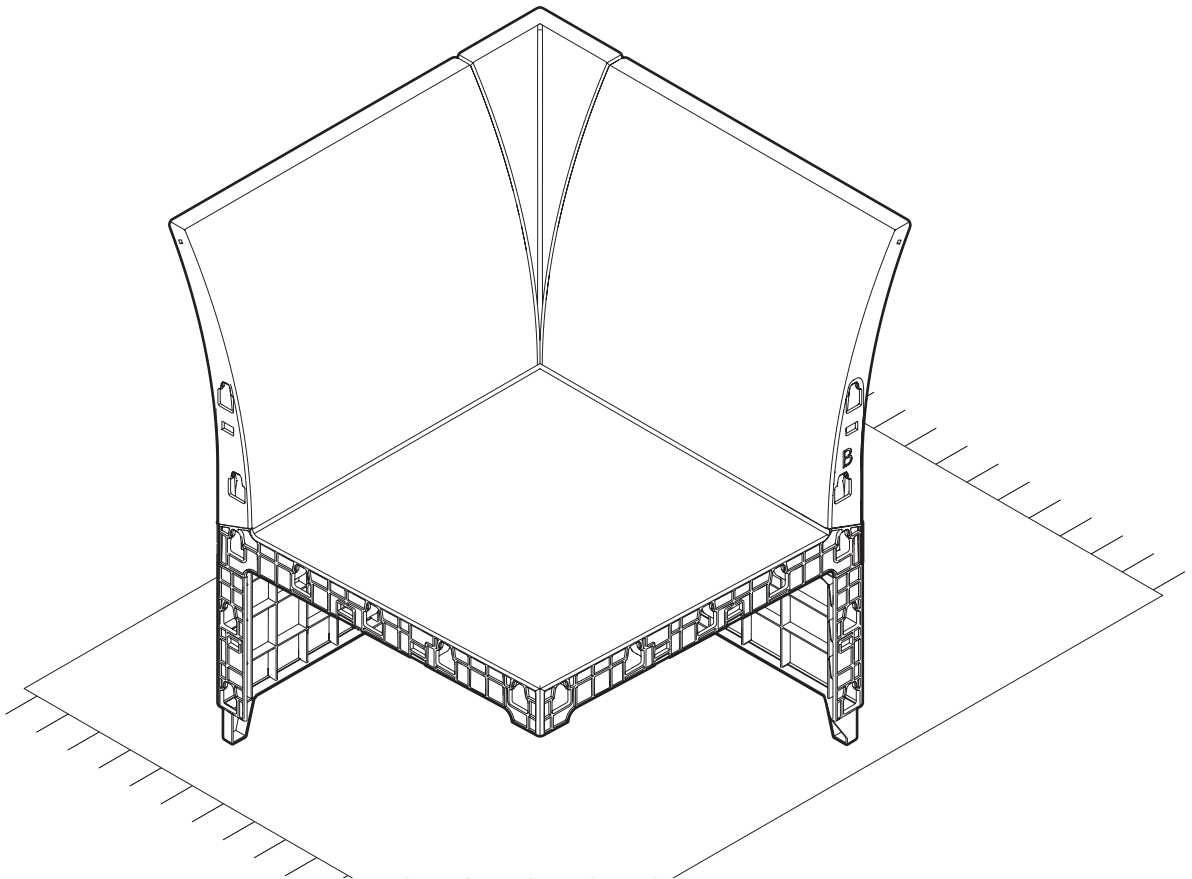
7



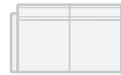
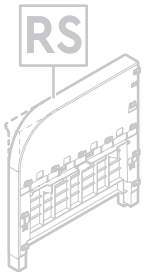
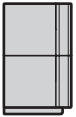
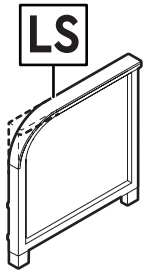
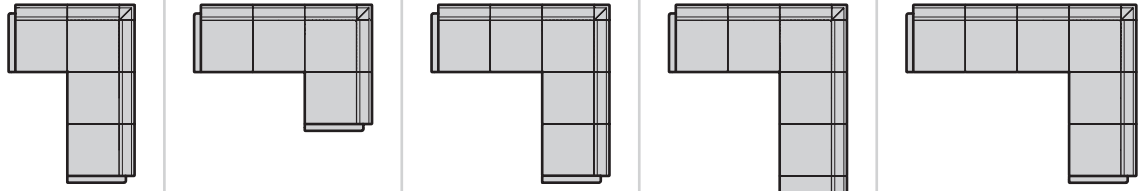
TCx1



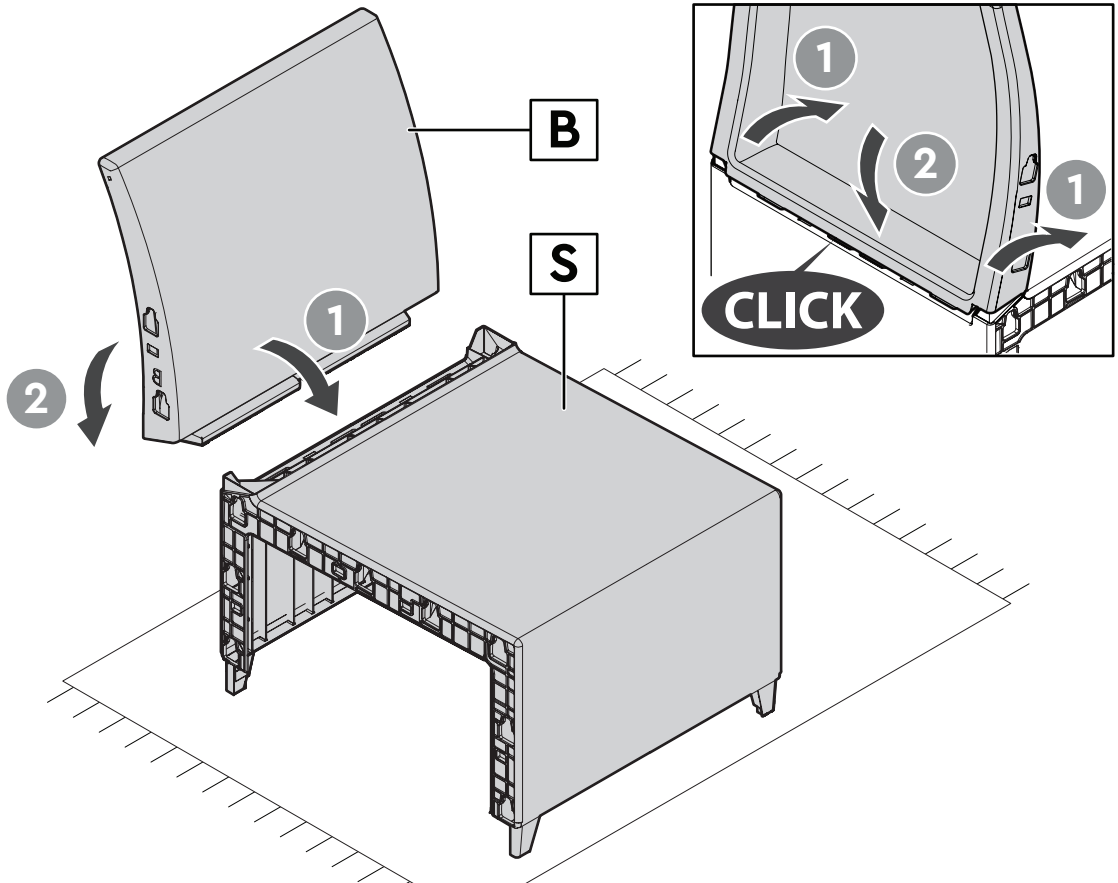
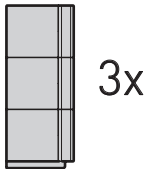
8



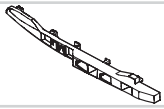
9



10



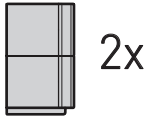
11



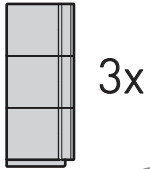
MLbx1



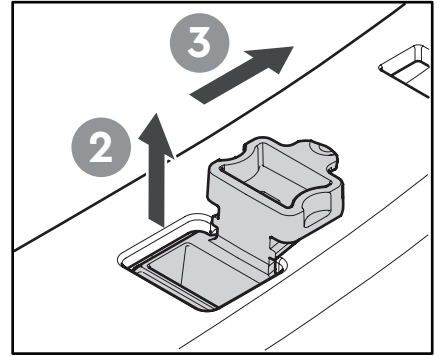
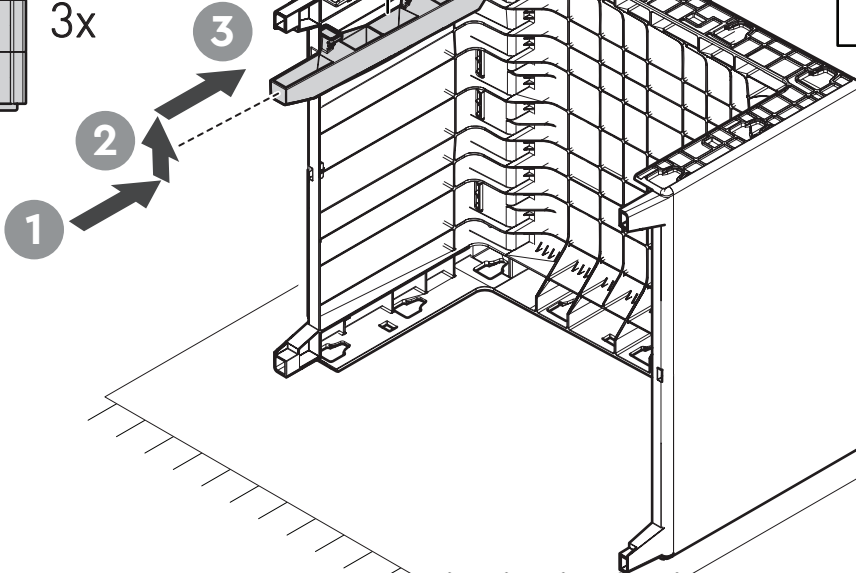
1x



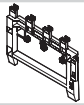
2x



3x



12



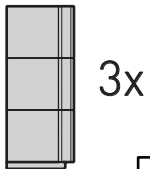
MLsx1



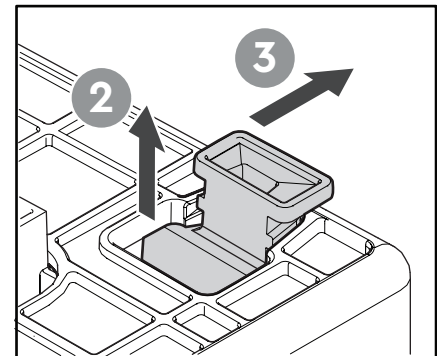
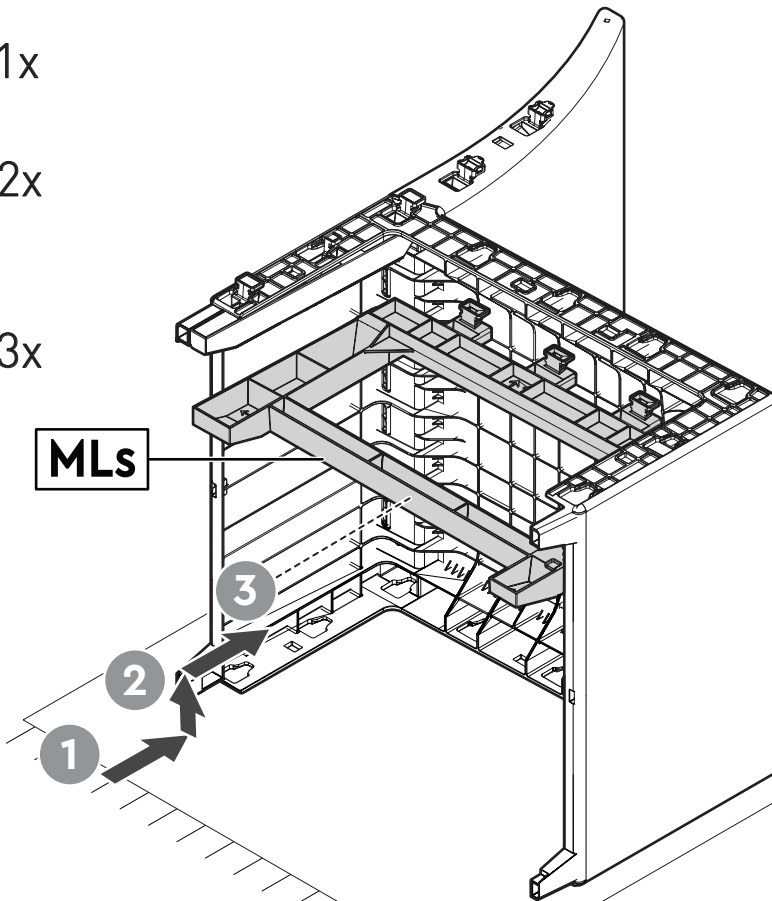
1x



2x

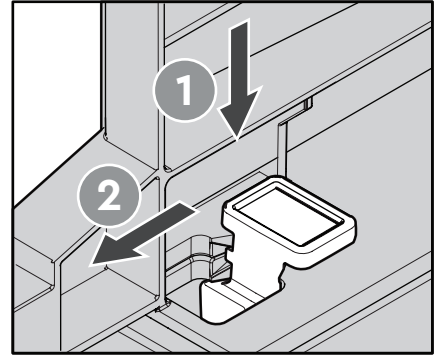
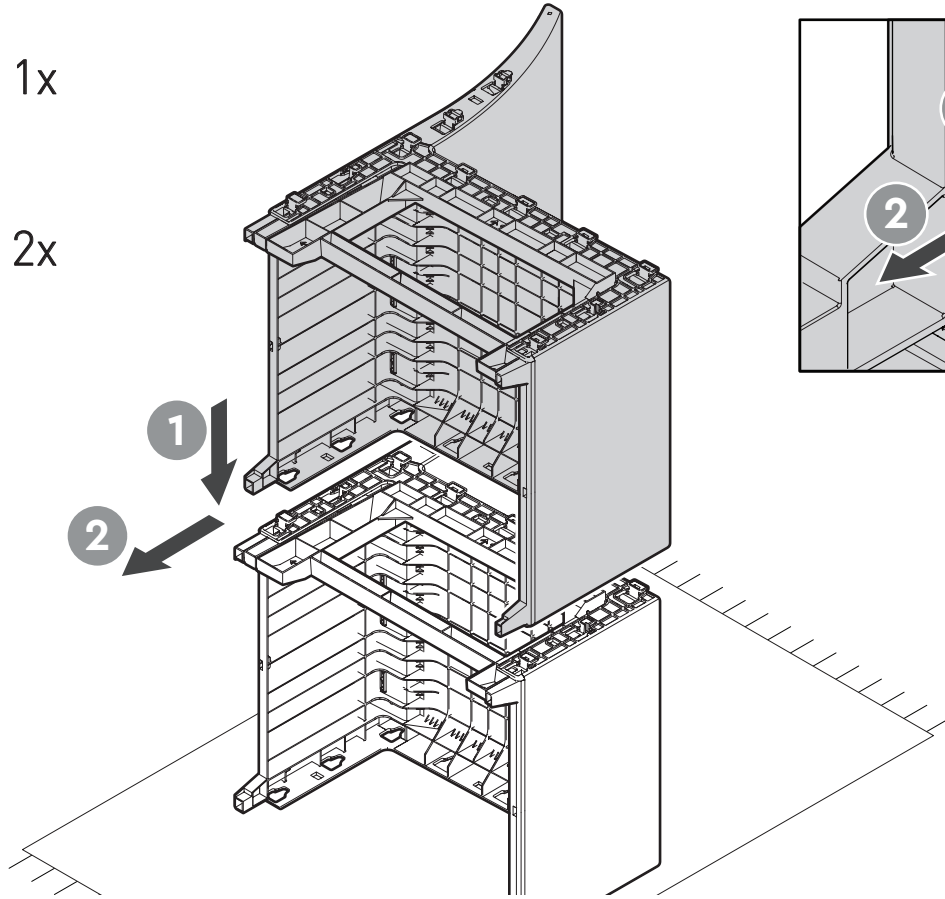


3x



13

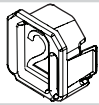
- 1x
- 2x



14

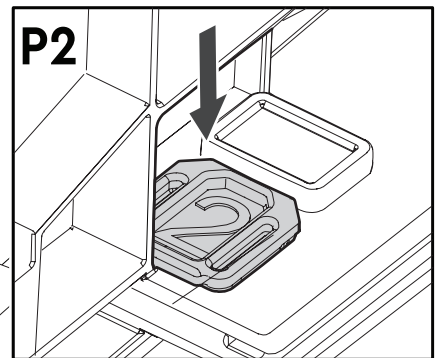
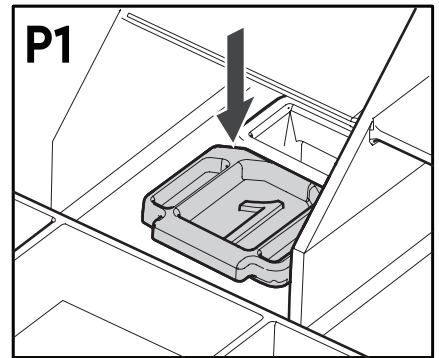
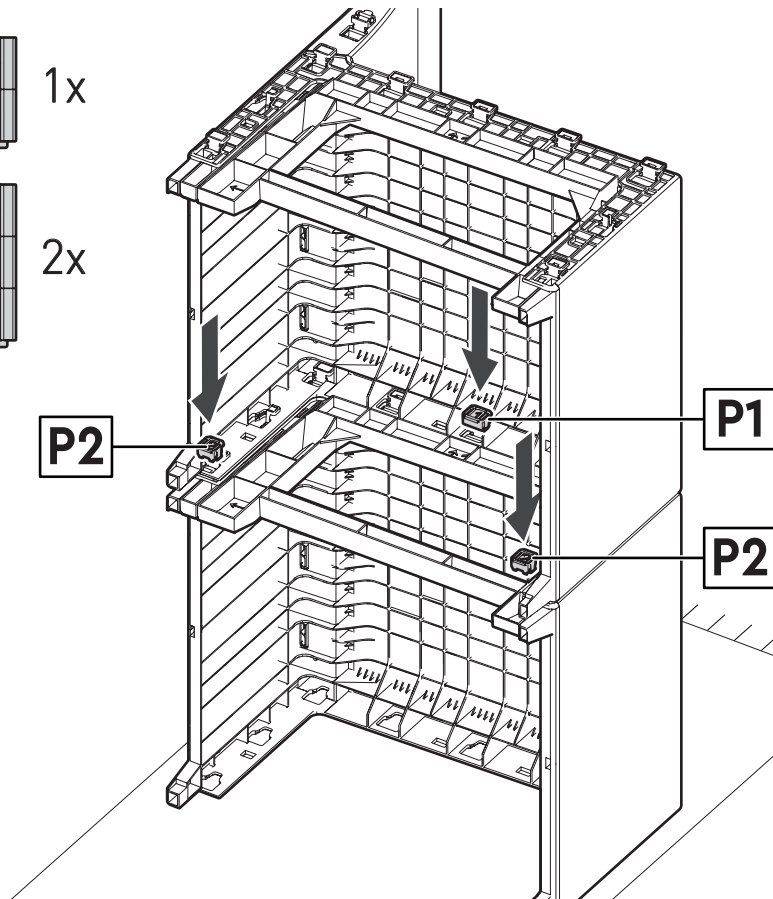


P1x1

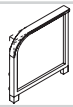


P2x2

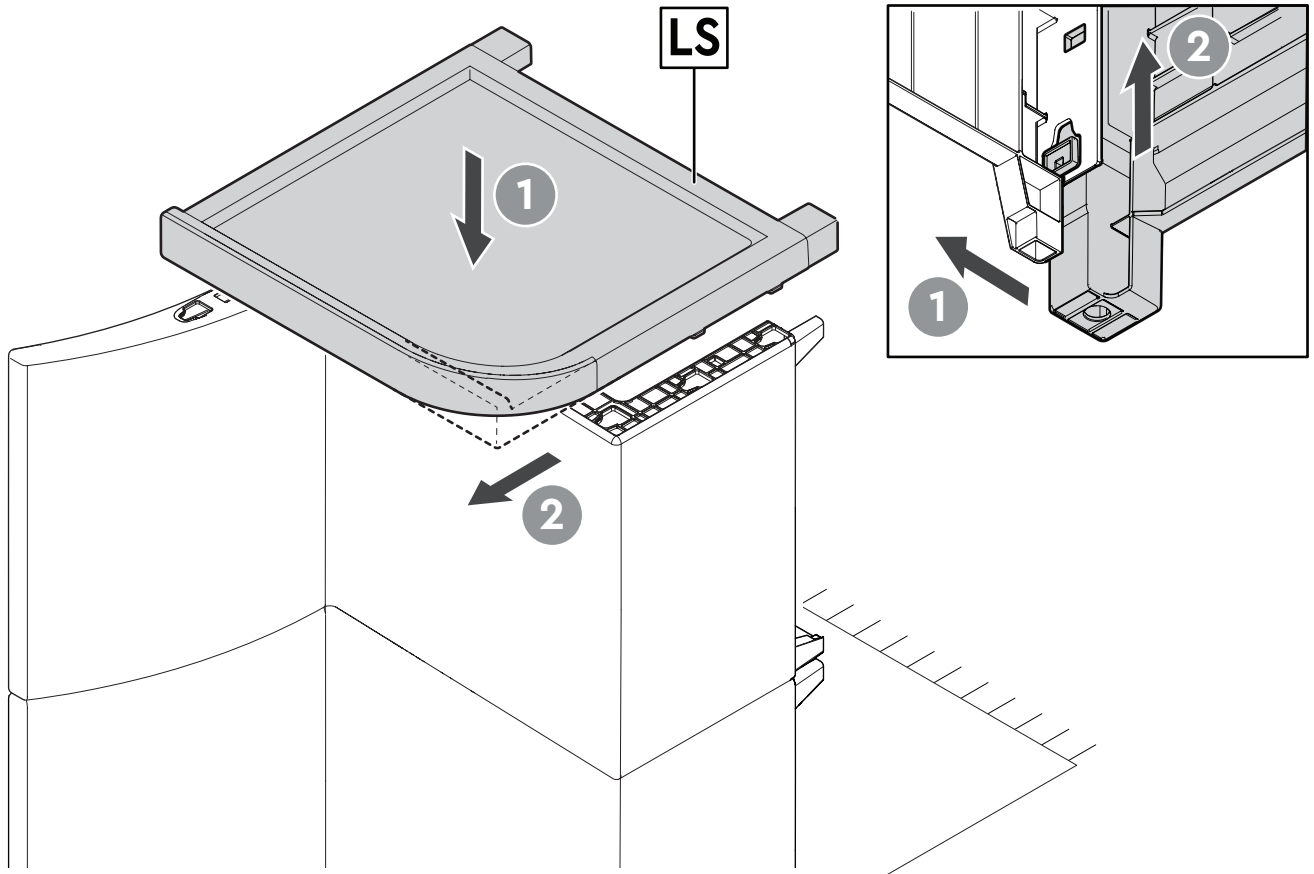
- 1x
- 2x



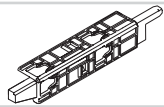
15



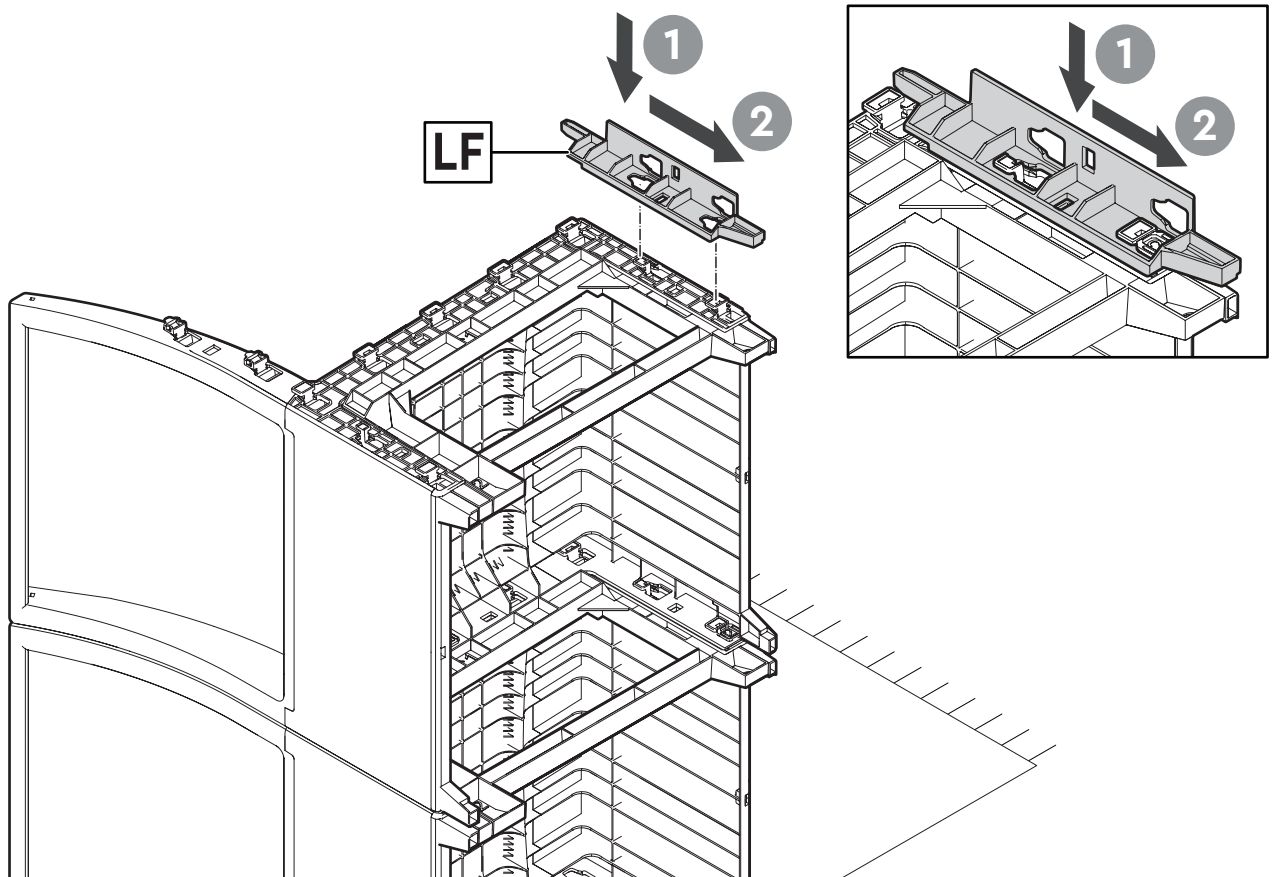
LSx1



16



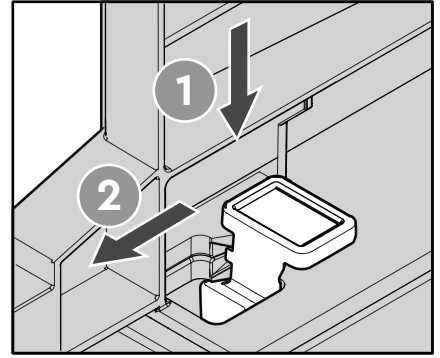
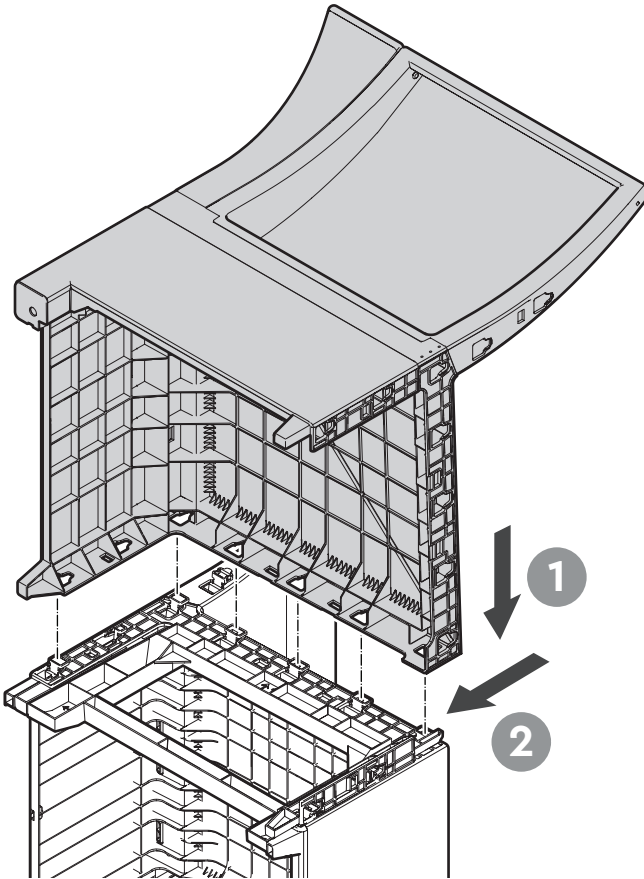
LFx1



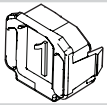
17



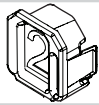
Step 8



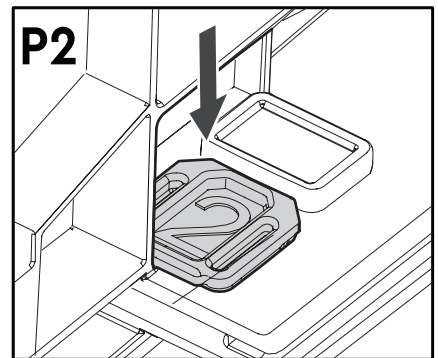
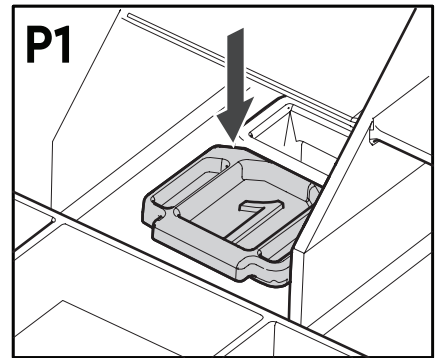
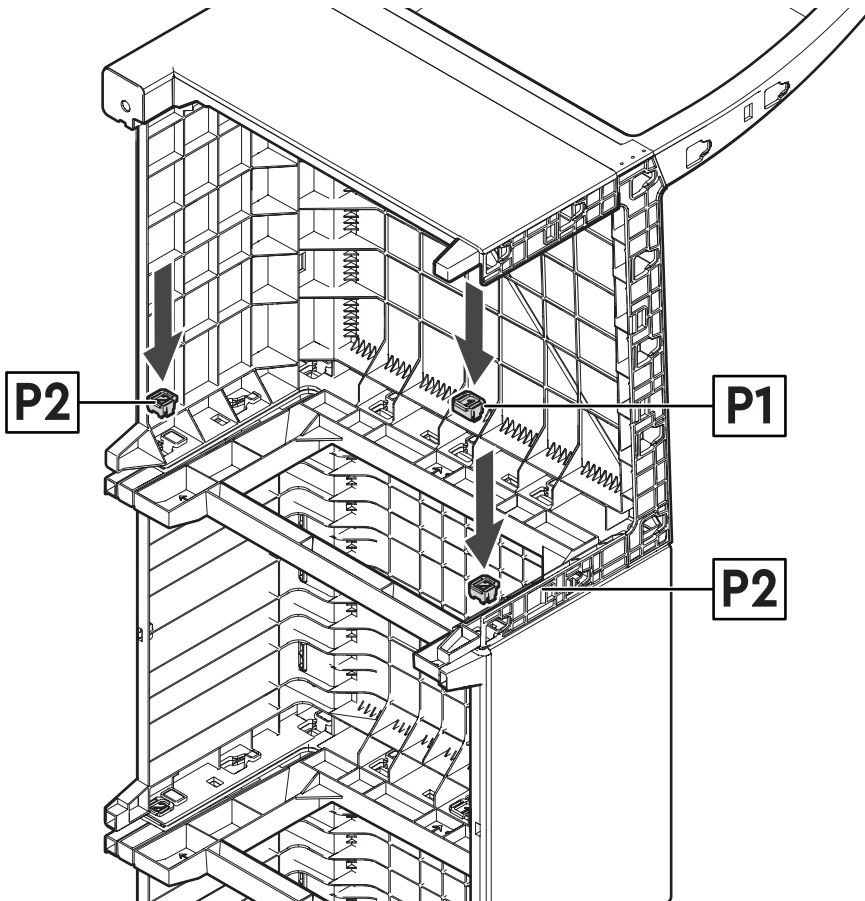
18



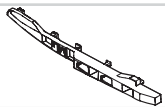
P1x1



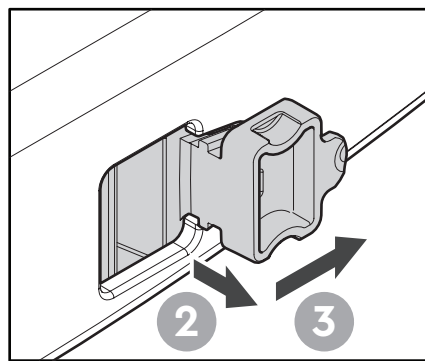
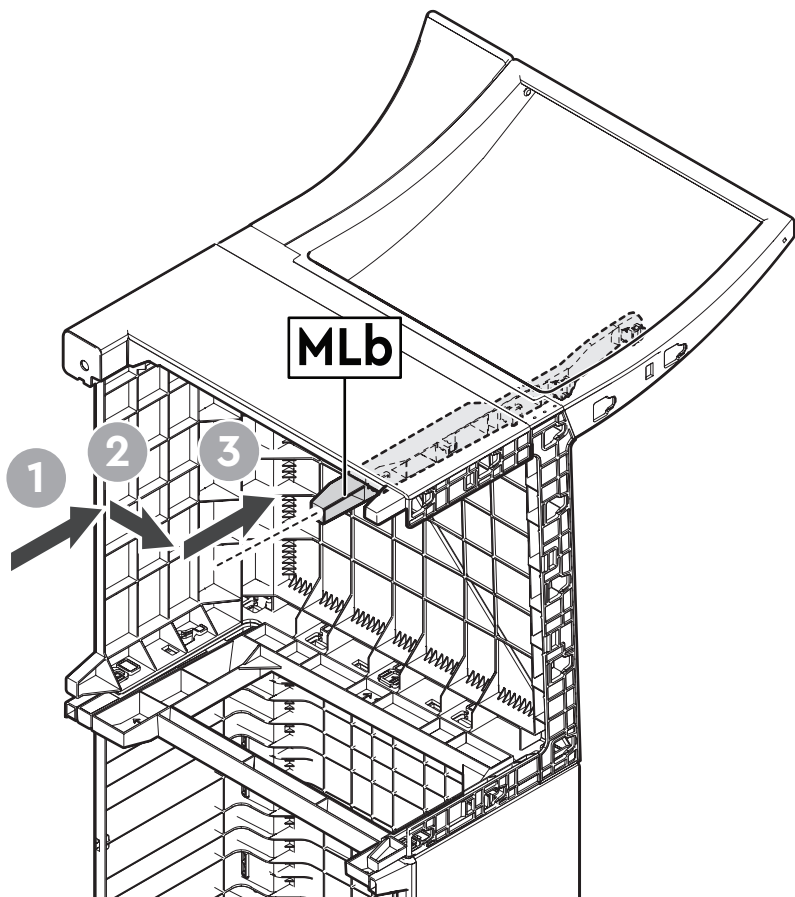
P2x2



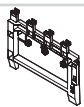
19



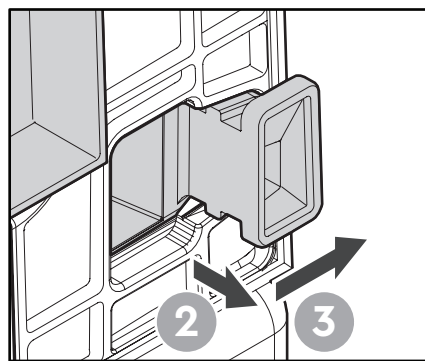
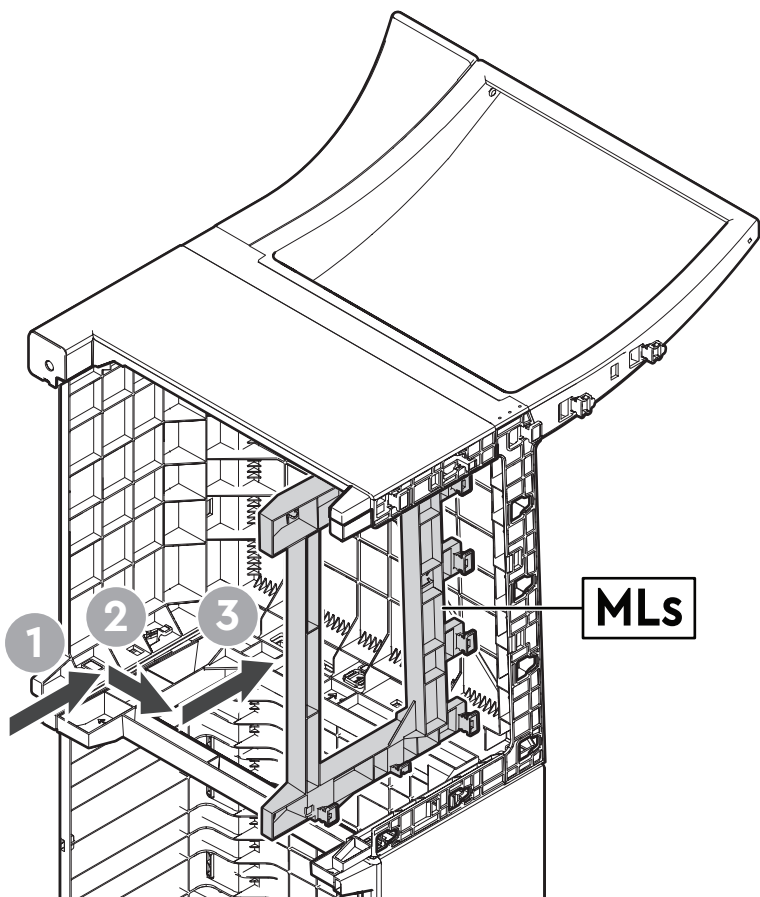
MLbx1

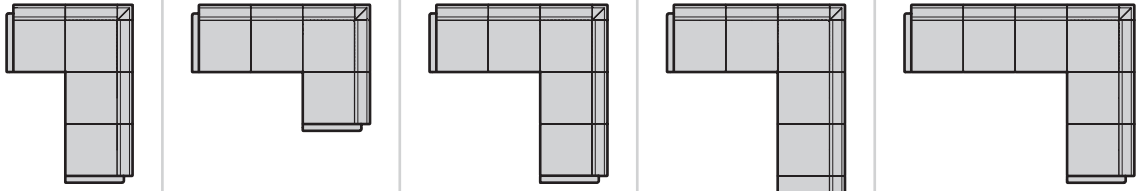


20

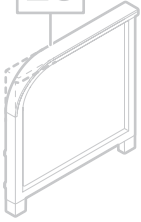


MLsx1

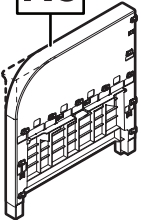




LS



RS



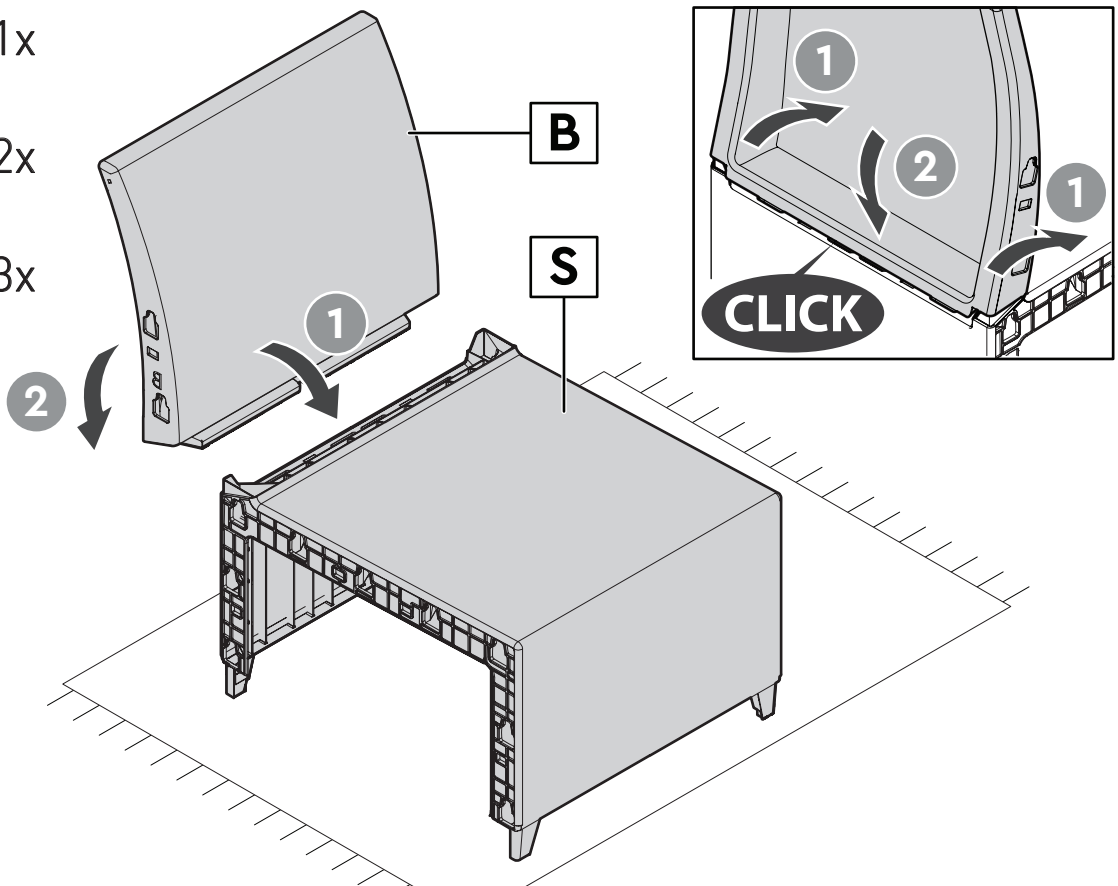
1x



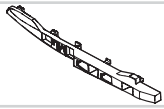
2x



3x



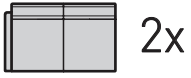
23



MLbx1



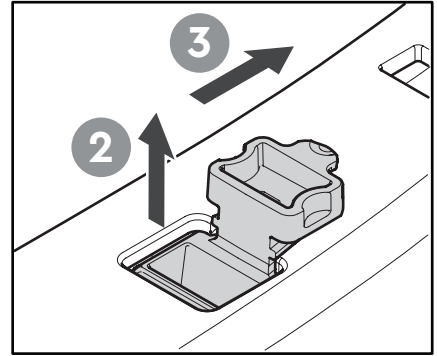
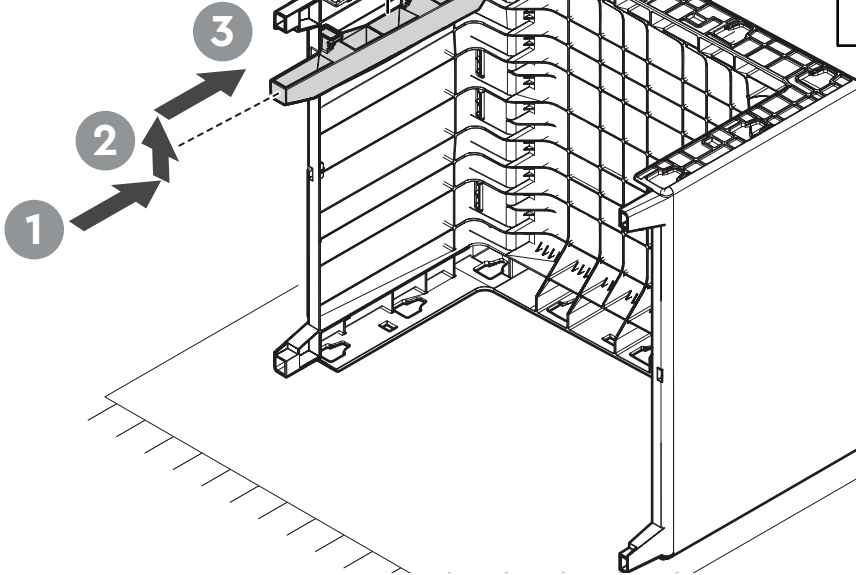
27



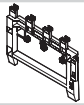
2x



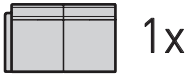
3x



24



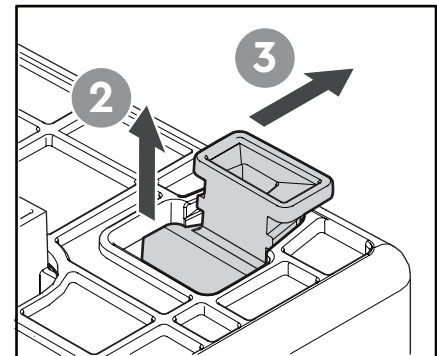
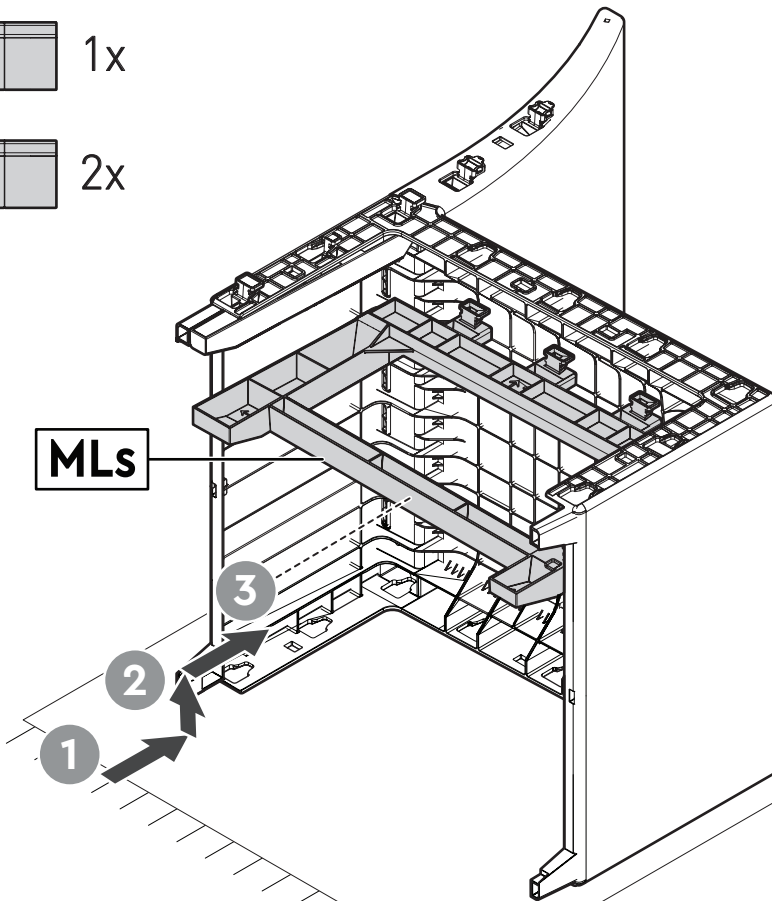
MLsx1



1x



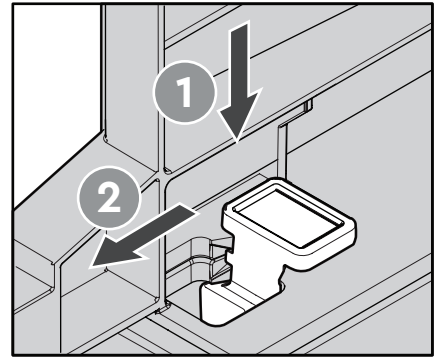
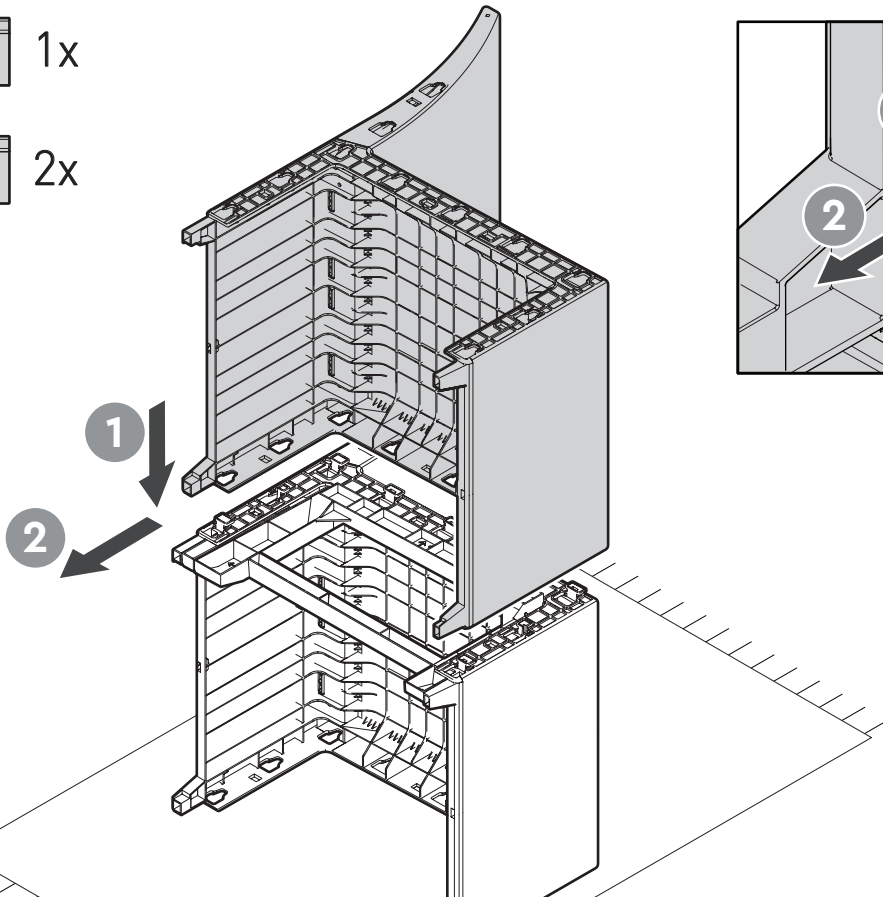
2x



25

1x

2x



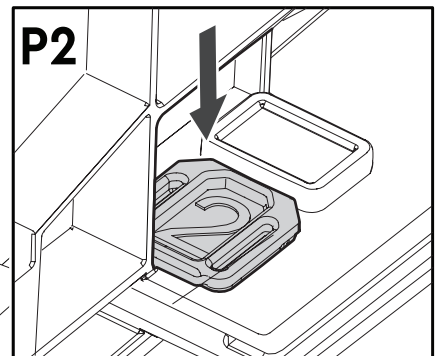
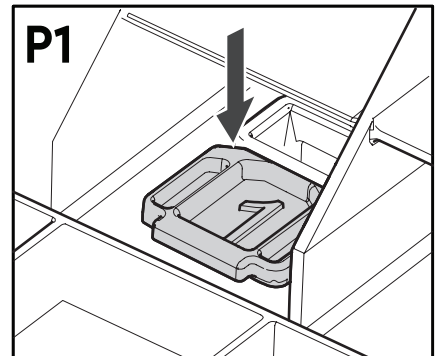
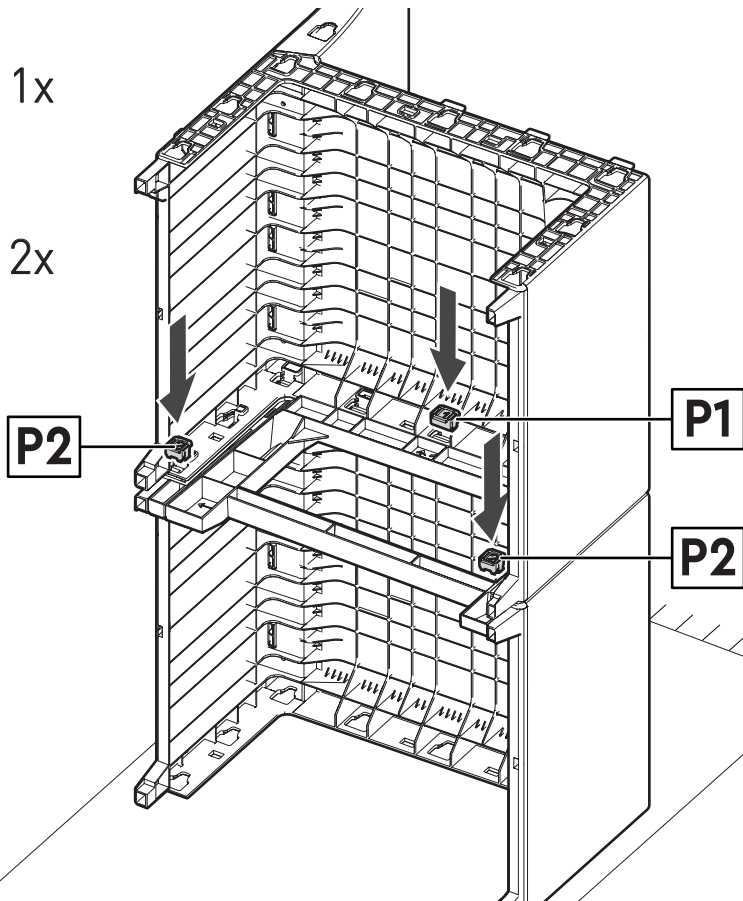
26

P1x1

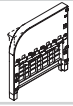
P2x2

1x

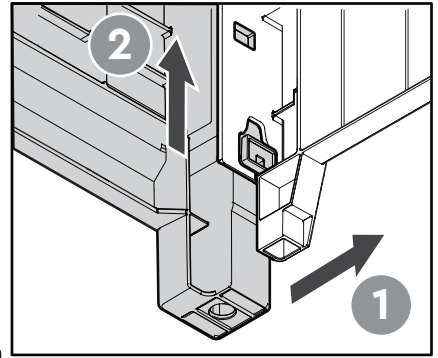
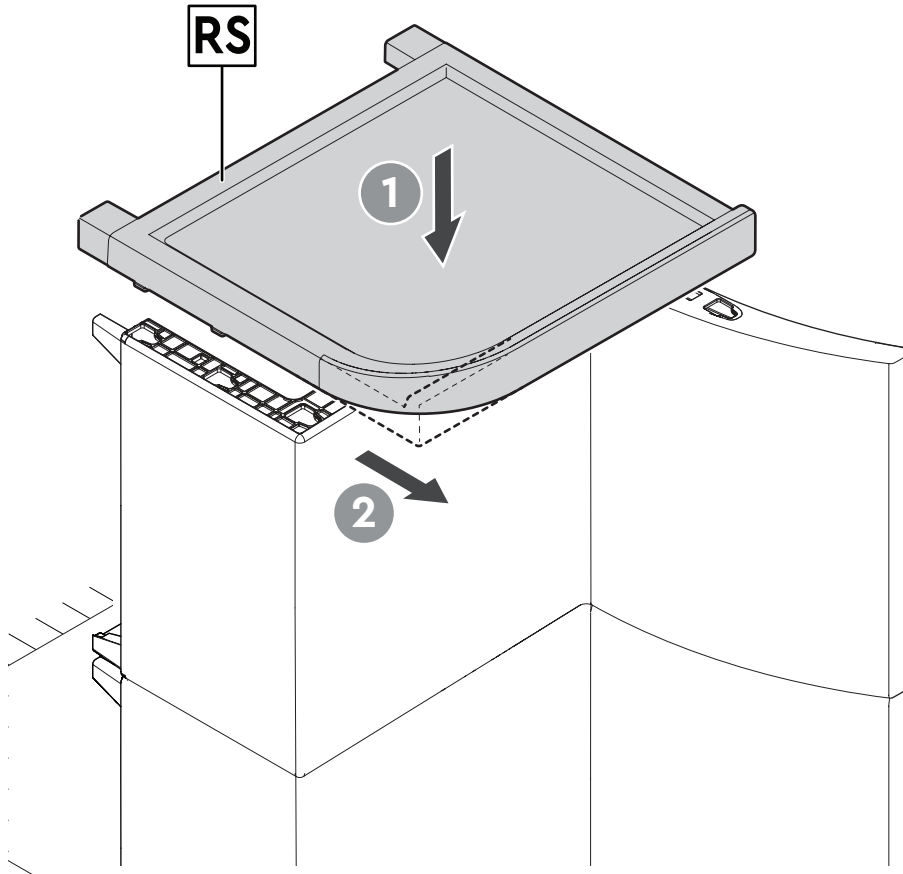
2x



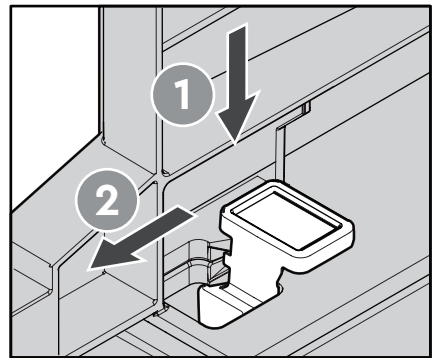
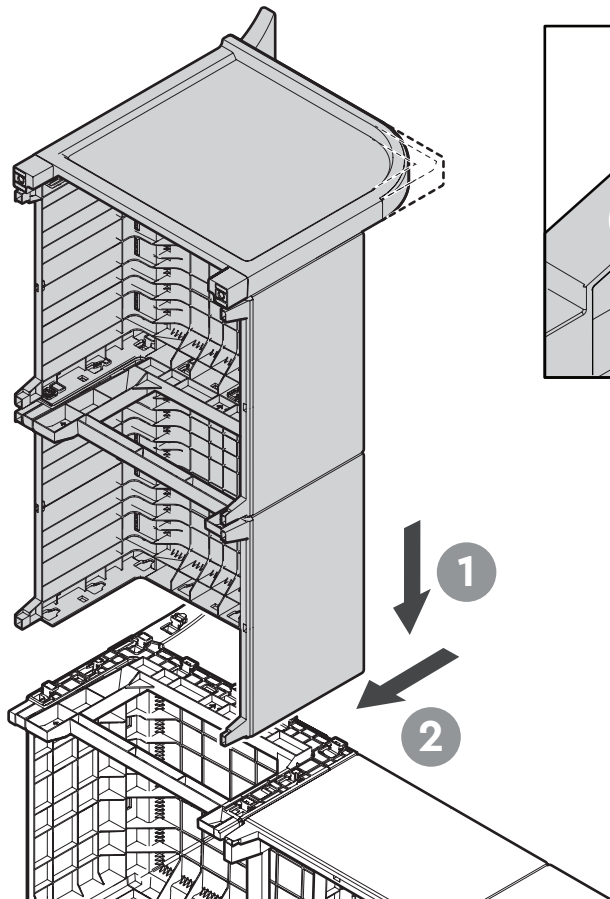
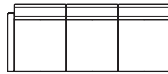
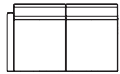
27



RSx1



28



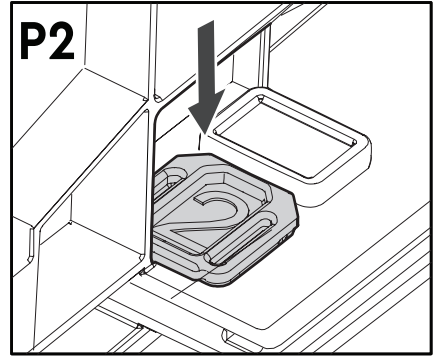
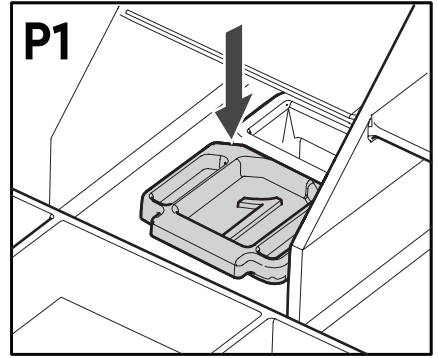
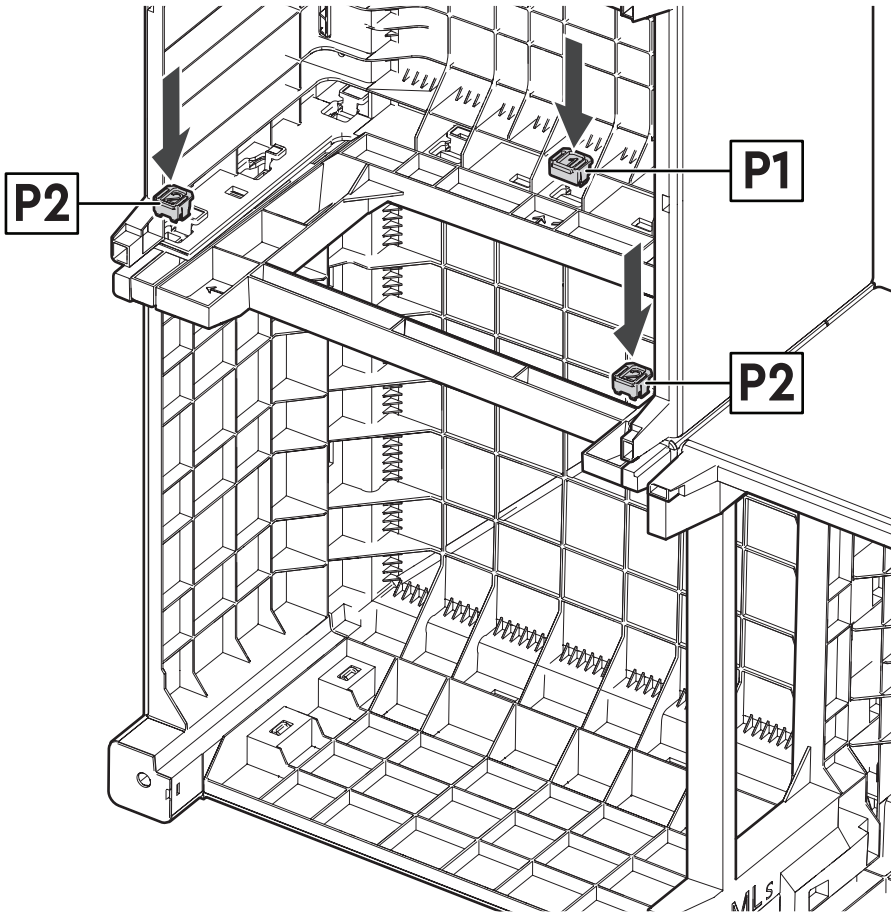
29



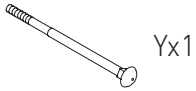
P1x1



P2x2





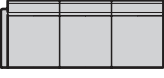



30



Yx1



Zx1

-  1x
-  2x
-  3x
-  1x
-  2x
-  3x

